

CHAPTER

32

LANDING GEAR

CESSNA®
MODEL 208
 ILLUSTRATED PARTS CATALOG

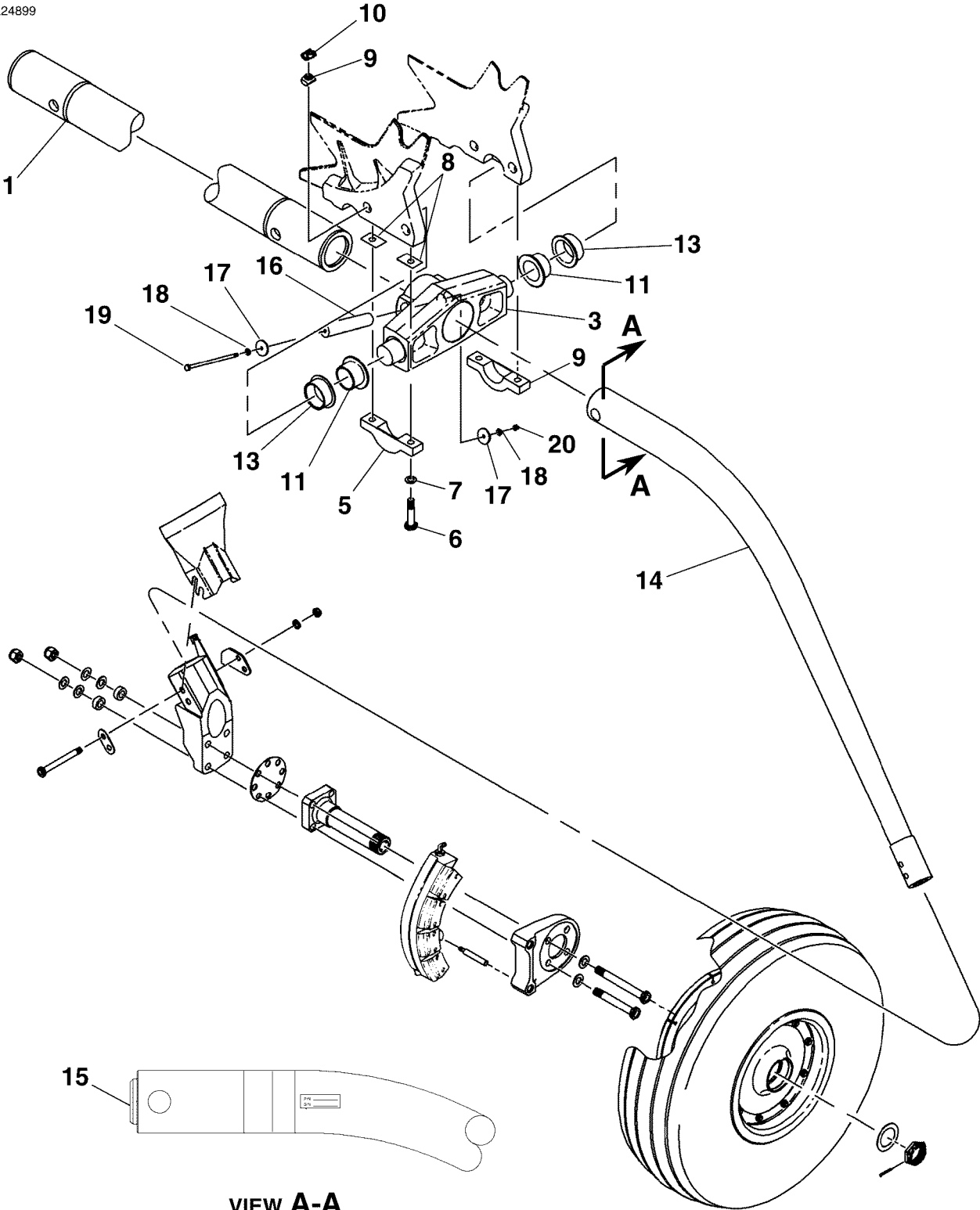
CHAPTER SECTION SUBJECT		NUMBER OF PAGES	DATE
32 - TITLE			
32 - LIST OF EFFECTIVE PAGES			
32 - RECORD OF TEMPORARY REVISIONS			
32 - TABLE OF CONTENTS			
32-10-00	Figure 01	4	Mar 1/2020
32-10-00	Figure 02	4	Mar 1/2020
32-10-01	Figure 01	8	Mar 1/2020
32-20-00	Figure 01	8	Mar 1/2020
32-20-00	Figure 02	8	Sep 1/2019
32-20-00	Figure 03	4	Mar 1/2020
32-20-01	Figure 01	4	Mar 1/2008
32-20-01	Figure 02	2	Dec 1/2012
32-40-00	Figure 01	2	Sep 1/2019
32-40-00	Figure 02	2	Sep 1/2019
32-40-00	Figure 03	2	Mar 1/2015
32-41-00	Figure 01	6	Mar 1/2020
32-41-01	Figure 01	2	Dec 1/2012
32-41-02	Figure 01	2	Mar 1/2015
32-42-00	Figure 01	2	Jun 1/2013
32-50-00	Figure 01	2	Jun 1/2010

CESSNA®
MODEL 208
 ILLUSTRATED PARTS CATALOG

<u>SUBJECT</u>	<u>CHAPTER SECTION SUBJECT</u>	<u>FIGURE</u>	<u>EFFECTIVITY</u>	
			<u>START</u>	<u>END</u>
MAIN LANDING GEAR INSTALLATION	32-10-00	01	0001	& ON
MAIN LANDING GEAR INSTALLATION	32-10-00	02	B0001	& ON
MAIN LANDING GEAR FAIRINGS INSTALLATION	32-10-01	01		
NOSE GEAR INSTALLATION	32-20-00	01		
NOSE GEAR SHOCK STRUT ASSEMBLY	32-20-00	02	0001	0140
			B0001	B0123
NOSE GEAR SHOCK STRUT ASSEMBLY	32-20-00	03	0141	& ON
			B0124	& ON
NOSE GEAR SHIMMY DAMPENER ASSEMBLY	32-20-01	01	0001	0393
			B0001	B1139
NOSE GEAR SHIMMY DAMPENER ASSEMBLY	32-20-01	02	0394	& ON
			B1140	& ON
WHEEL AND TIRE ASSEMBLY - MAIN GEAR	32-40-00	01		
WHEEL AND TIRE ASSEMBLY - NOSE GEAR	32-40-00	02		
MAIN WHEEL BRAKE ASSEMBLY	32-40-00	03		
BRAKE SYSTEM	32-41-00	01		
BRAKE MASTER CYLINDER ASSEMBLY	32-41-01	01		
BRAKE RETURN SPRING INSTALLATION	32-41-02	01	0547	& ON
			B5000	& ON
PARKING BRAKE INSTALLATION	32-42-00	01		
NOSE GEAR STEERING	32-50-00	01		

CESSNA®
MODEL 208
ILLUSTRATED PARTS CATALOG

A24899



VIEW A-A

**MAIN LANDING GEAR INSTALLATION
FIGURE 01 (SHEET 1)**

2641R4001
AA2641T1026

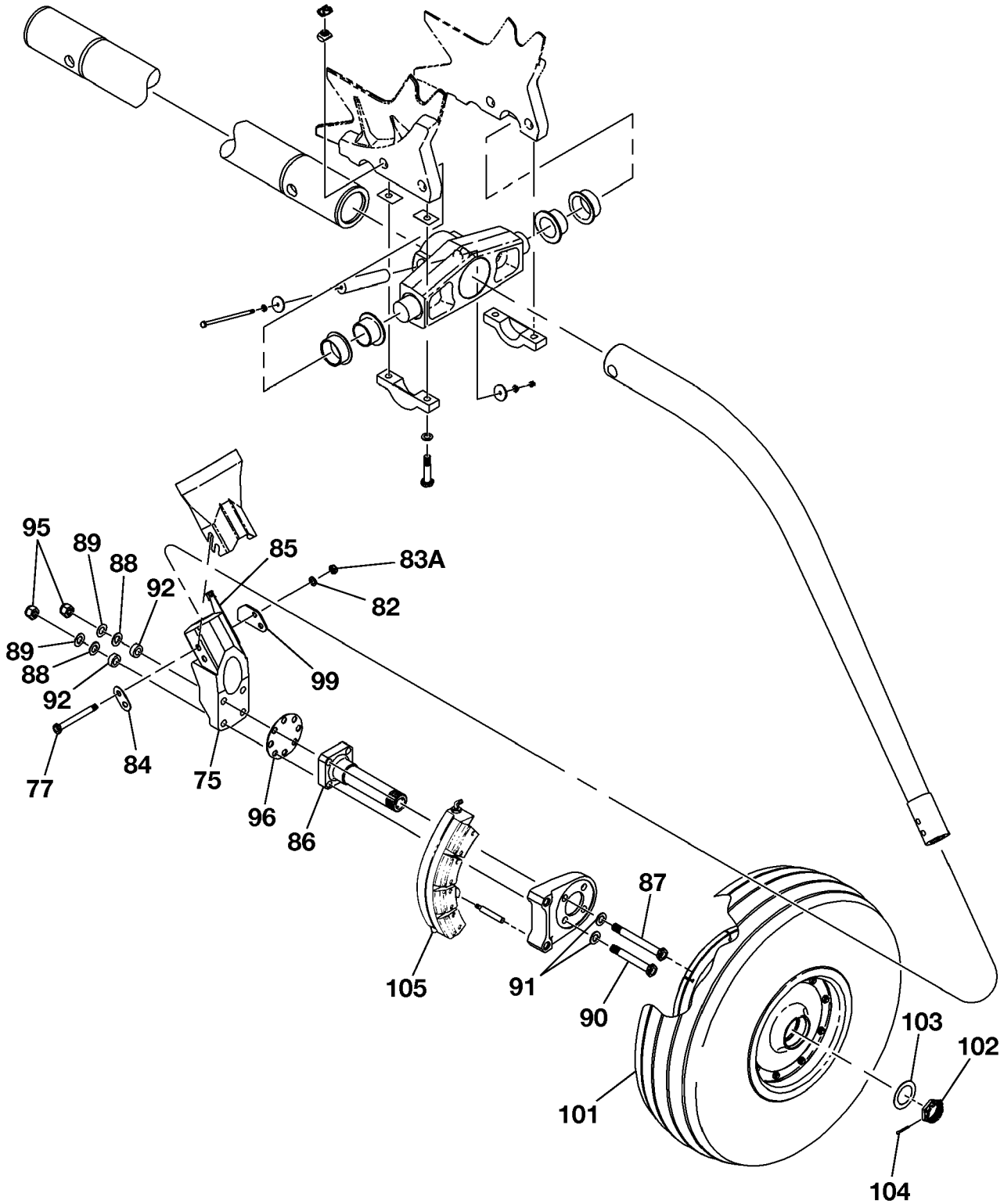
CESSNA®
MODEL 208
ILLUSTRATED PARTS CATALOG

FIG ITEM	PART NUMBER	NOMENCLATURE	UNITS PER ASSY		
			1	2	3
01		MAIN LANDING GEAR INSTALLATION			
-			0001	& ON	RF
1	2641014-2	. SPRING-MAIN GEAR CENTER FSO 2641014-10	0001	0204	NP R
- 2	2641014-4	. SPRING-MAIN GEAR CENTER FSO 2641014-10	0205	0337	NP R
- 2A	2641014-6	. SPRING-MAIN GEAR CENTER FSO 2641014-10	0338	0541	NP R
- 2B	2641014-10	. SPRING-MAIN GEAR CENTER	0542	& ON	NP R
- 2C	2641014-8	. SPRING ASSY-MAIN GEAR CENTER FSO 2641014-12	0382	0532	NP
- 2E	2641014-12	. SPRING ASSY-MAIN GEAR CENTER	0533	0547	01
			0555	& ON	
- 2E	2694008-9	. SPRING ASSY-MAIN GEAR CENTER FSO 2641014-12	0548	0554	NP
3	2641012-1	. TRUNNION ASSY-LH MAIN GEAR FSO 2641012-15	0001	0204	NP
- 3A	2641012-9	. TRUNNION ASSY-MAIN GEAR LH FSO 2641012-15 REFER TO NOTE 2	0205	0381	NP
- 3B	2641012-13	. TRUNNION ASSY-MAIN GEAR LH FSO 2641012-15 REFER TO NOTE 4	0382	0584	NP
- 3C	2641012-15	. TRUNNION ASSY-MAIN GEAR LH	0585	& ON	01
- 4	2641012-2	. TRUNNION ASSY-RH MAIN GEAR FSO 2641012-16	0001	0204	NP
- 4A	2641012-8	. TRUNNION ASSY-MAIN GEAR RH FSO 2641012-16 REFER TO NOTE 2	0205	0381	NP
- 4B	2641012-14	. TRUNNION ASSY-MAIN GEAR RH FSO 2641012-16	0382	0601	NP R
- 4C	2641012-16	. TRUNNION ASSY-MAIN GEAR RH	0602	& ON	01 R
		ATTACHING PARTS			
5	2611137-7	. CAP-MAIN LANDING GEAR FITTING			02
6	NAS1308-26D	. BOLT			04
7	NAS1149F0863P	. WASHER			04
8	2641025-1	. SHIM-MAIN LANDING GEAR .002 THICK REFER TO NOTE 1	0200	& ON	AR
- 8A	2641025-2	. SHIM-MAIN LANDING GEAR .004 THICK REFER TO NOTE 1	0200	& ON	AR
- 8B	2641025-3	. SHIM-MAIN LANDING GEAR .006 THICK REFER TO NOTE 1	0200	& ON	AR
- 8C	2641025-4	. SHIM-MAIN LANDING GEAR .008 THICK REFER TO NOTE 1	0200	& ON	AR
- 8D	2641025-5	. SHIM-MAIN LANDING GEAR .010 THICK REFER TO NOTE 1	0200	& ON	AR
9	SL414-8	. BARREL NUT V72962			04
- 9A	LH8065-080	. BARREL NUT ALT FOR SL414-8 V72962			04
10	2452-080RET	. RETAINER V72962			04
		—*—			
11	2641007-1	. RACE-MAIN GEAR TRUNNION	0001	0204	02
- 11A	2641026-1	. RACE-MAIN GEAR TRUNNION	0205	& ON	02
- 12	2641034-1	. RUB STRIP-MAIN GEAR TRUNNION REFER TO NOTE 3	0602	& ON	01
13	M81934/2-32C032	. BEARING-MAIN GEAR TRUNNION			02
- 13A	FBRR32C32	. BEARING-MAIN GEAR TRUNNION ALT FOR M81934/2-32C032 V21335			02
14	2641013-1	. SPRING-MAIN GEAR LH & RH FSO 2641013-19	0001	0204	NP
- 14A	2641013-3	. SPRING-MAIN GEAR LH & RH FSO 2641013-19	0205	0337	NP
- 14B	2641013-5	. SPRING-MAIN GEAR LH & RH FSO 2641013-19	0338	0381	NP
- 14C	2641013-7	. SPRING ASSY-MAIN GEAR LH & RH FSO 2641013-19	0382	0532	NP
- 14D	2641013-200	. SPRING ASSY-MAIN GEAR LH & RH FSO 2641013-19	0001	0532	NP
- 14E	2641013-9	. SPRING ASSY-MAIN GEAR LH & RH FSO 2641013-19	0533	0554	NP R
- 14F	2694008-8	. SPRING ASSY-MAIN GEAR LH & RH FSO 2641013-19	0544	0552	NP
- 14G	2641013-19	. SPRING ASSY-MAIN GEAR LH & RH	0555	& ON	02
15	2641013-11	. PLUG-MAIN GEAR SPRING	0533	& ON	02
		ATTACHING PARTS			
16	2641008-1	. PIN-MAIN GEAR ATTACH FSO 2641008-200	0001	0328	NP
- 16A	2641008-2	. PIN-MAIN GEAR ATTACH FSO 2641008-200	0329	0384	NP
- 16B	2641008-200	. PIN-MAIN GEAR ATTACH	0001	& ON	01
17	S1450-4A20-100J	. WASHER			02
18	NAS1149F0463P	. WASHER			02
19	S3461-59	. BOLT MPI			01
20	MS21042L4	. NUT			01
		—*—			

NOTE 1—REFER TO CESSNA MODEL 208 SERIES MAINTENANCE MANUAL FOR INSTALLATION INSTRUCTIONS.
NOTE 2—AIRPLANES -0205 THRU -0381 AND AIRPLANES -0001 THRU -0331 INCORPORATING CAB03-6.
NOTE 3—AIRPLANES -0602 AND ON, AND AIRPLANES -0394 THRU -0584 INCORPORATING CAB-32-04.
NOTE 4—AIRPLANES -0382 THRU -0589, AND AIRPLANES -0394 THRU -0584 INCORPORATING CAB-32-04.

CESSNA®
MODEL 208
ILLUSTRATED PARTS CATALOG

A24900



26414001

MAIN LANDING GEAR INSTALLATION
FIGURE 01 (SHEET 2)

CESSNA®
MODEL 208
ILLUSTRATED PARTS CATALOG

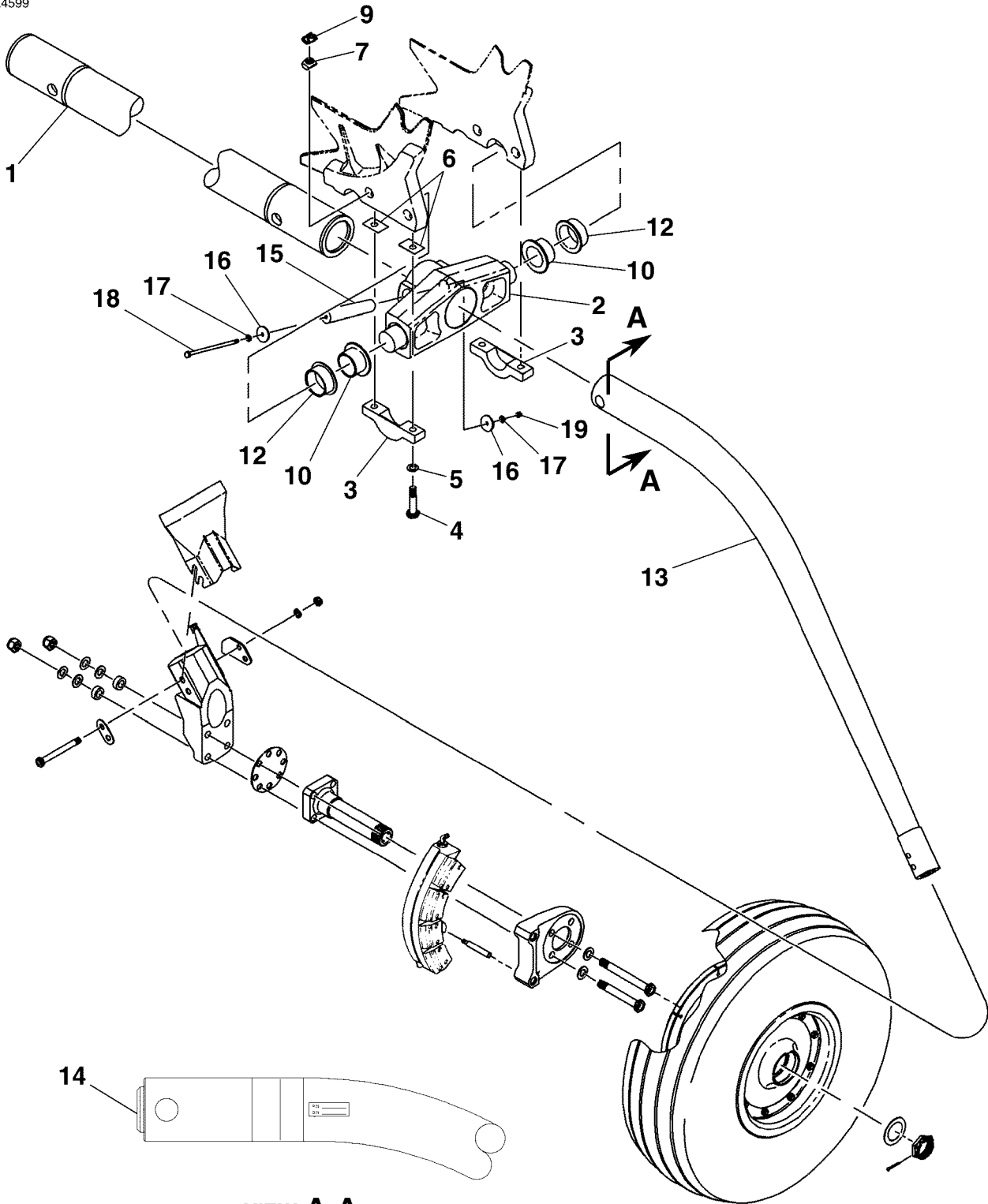
FIG ITEM	PART NUMBER	NOMENCLATURE	UNITS PER ASSY		
			1	2	3
01					
75	2641010-1	. AXLE FITTING-MAIN GEAR FSO 2641010-7	0001	0139	02
- 76	2641010-3	. AXLE FITTING-MAIN GEAR FSO 2641010-7	0140	0381	02
- 76A	2641010-7	. AXLE FITTING-MAIN GEAR ATTACHING PARTS	0382	& ON	02
77	NAS6207-50	. BOLT USED WITHOUT JACK PAD	0001	0132	02
- 78	NAS464P7A54	. BOLT USED WITH JACK PAD	0001	0127	02
- 79	NAS464P7A56	. BOLT FSO S3461-82 REFER TO NOTE 1	0128	0302	NP
- 79A	S3461-82	. BOLT MPI	0303	& ON	02
- 80	NAS6207-56	. BOLT ALT FOR NAS464P7A56	0128	& ON	02
- 81	NAS1107-56	. BOLT ALT FOR NAS464P7A56	0128	& ON	02
82	NAS1149F0763P	. WASHER	0001	0127	02
- 83	MS20364-720C	. NUT FSO MS21245L7	0001	0302	NP
83A	MS21245L7	. NUT	0303	& ON	02
84	2611112-3	. PLATE REFER TO NOTE 1	0128	& ON	01
85	2611112-2	. STRAP-BRAKE LINE REFER TO NOTE 1 —*	0128	& ON	01
86	2641011-1	. AXLE-MAIN GEAR FSO 2641011-5	0001	0129	NP
- 86B	2641011-4	. AXLE-MAIN GEAR FSO 2641011-5	0130	0328	NP
- 86C	2641011-5	. AXLE-MAIN GEAR REFER TO NOTE 2 ATTACHING PARTS	0329	& ON	02
87	NAS1309-56	. BOLT UPPER	0001	0337	02
- 87A	NAS6609-56	. BOLT UPPER	0338	& ON	02
88	NAS1149F0963P	. WASHER			AR
89	NAS1149F0932P	. WASHER			AR
90	NAS1309-40	. BOLT LOWER	0001	0337	02
- 90A	NAS6609-40	. BOLT LOWER	0338	& ON	02
91	NAS1149F0963P	. WASHER			04
92	2641021-1	. SPACER .375 THICK			AR
- 93	2641021-2	. SPACER .25 THICK			AR
- 94	2641021-3	. SPACER .125 THICK			AR
95	MS21044N9	. NUT			04
96	2641009-1	. SHIM-MAIN GEAR AXLE .106 AT THICKEST POINT			AR
- 97	2641009-2	. SHIM-MAIN GEAR AXLE .173 AT THICKEST POINT			AR
- 98	2641009-3	. SHIM-MAIN GEAR AXLE .240 AT THICKEST POINT —*			AR
99	2601119-1	. JACK PAD-LH			01
- 100	2601119-2	. JACK PAD-RH			01
101		. MAIN GEAR WHEEL AND TIRE ASSY REFER TO 32-40-00 FIGURE 01 ATTACHING PARTS			RF
102	MS21025-24	. NUT			01
103	153-00101	. WASHER V33269			AR
104	MS24665-351	. COTTER PIN			02
		—*			
105		. MAIN WHEEL BRAKE ASSY REFER TO 32-40-00 FIGURE 03			RF

NOTE 1—FOR AIRPLANES PRIOR TO -0128 OR -B0066 ORDER BOLT, PLATE AND STRAP AS A SET.

NOTE 2—AIRPLANES -0329 & ON AND -B0839 & ON AND AIRPLANES -0001 THRU -0328 AND -B0001 THRU -B0838 INCORPORATING CAB00-3.

CESSNA®
MODEL 208
ILLUSTRATED PARTS CATALOG

A4599



VIEW A-A

**MAIN LANDING GEAR INSTALLATION
FIGURE 02 (SHEET 1)**

2641R4001
AA2641T1026

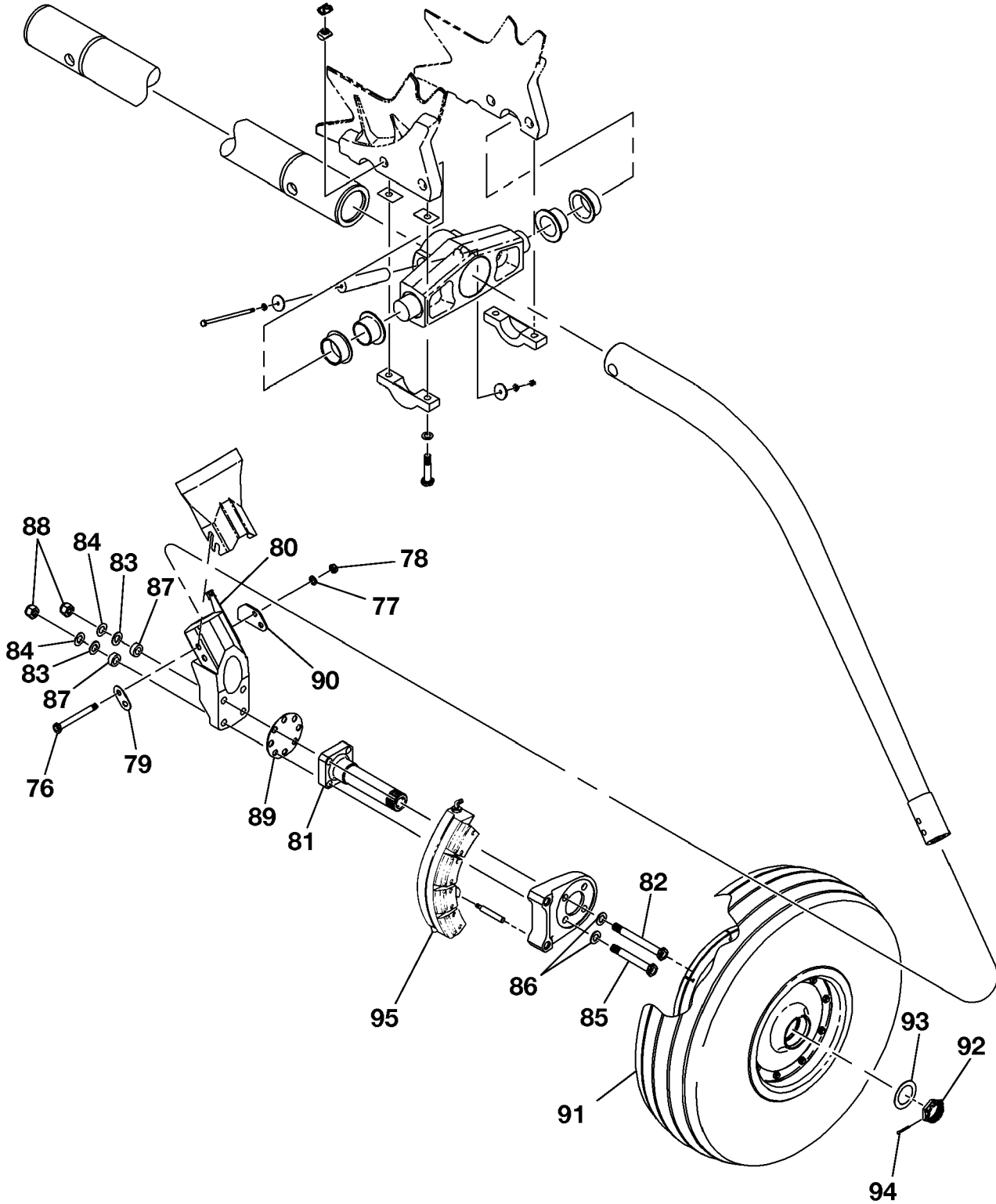
CESSNA®
MODEL 208
ILLUSTRATED PARTS CATALOG

FIG ITEM	PART NUMBER	NOMENCLATURE	UNITS PER ASSY		
			1	2	3
02					
-		MAIN LANDING GEAR INSTALLATION			
1	2641014-3	. SPRING-MAIN GEAR CENTER FSO 2641014-13	B0001	& ON	RF
- 1A	2641014-5	. SPRING-MAIN GEAR CENTER FSO 2641014-13	B0001	B0270	NP
- 1B	2641014-7	. SPRING-MAIN GEAR CENTER FSO 2641014-13	B0271	B0893	NP
- 1C	2641014-9	. SPRING ASSY-MAIN GEAR CENTER FSO 2641014-13	B0894	B1082	NP
- 1D	2694007-9	. SPRING ASSY-MAIN GEAR CENTER FSO 2641014-13	B1083	B2362	NP
- 1E	2641014-13	. SPRING ASSY-MAIN GEAR CENTER	B2411	B5144	NP
			B2363	B2410	01
			B5145	& ON	
2	2641012-9	. TRUNNION ASSY-MAIN GEAR LH FSO 2641012-15 REFER TO NOTE 2	B0271	B1082	NP
- 2A	2641012-13	. TRUNNION ASSY-MAIN GEAR LH FSO 2641012-15	B1083	B5401	NP R
- 2B	2641012-15	. TRUNNION ASSY-MAIN GEAR LH	B5402	& ON	01 R
- 2C	2641012-2	. TRUNNION ASSY-MAIN GEAR RH FSO 2641012-16	B0001	B0270	NP
- 2D	2641012-8	. TRUNNION ASSY-MAIN GEAR RH FSO 2641012-16 REFER TO NOTE 2	B0271	B1082	NP
- 2E	2641012-14	. TRUNNION ASSY-MAIN GEAR RH FSO 2641012-16 REFER TO NOTE 3	B1083	B5401	NP R
- 2F	2641012-16	. TRUNNION ASSY-MAIN GEAR RH REFER TO NOTE 4	B5402	& ON	01 R
		ATTACHING PARTS			
3	2611137-7	. CAP-MAIN LANDING GEAR FITTING			02
4	NAS1308-26D	. BOLT			04
5	NAS1149F0863P	. WASHER			04
6	2641025-1	. SHIM-MAIN LANDING GEAR .002 THICK REFER TO NOTE 1	B0249	& ON	AR
- 6A	2641025-2	. SHIM-MAIN LANDING GEAR .004 THICK REFER TO NOTE 1	B0249	& ON	AR
- 6B	2641025-3	. SHIM-MAIN LANDING GEAR .004 THICK REFER TO NOTE 1	B0249	& ON	AR
- 6C	2641025-4	. SHIM-MAIN LANDING GEAR .008 THICK REFER TO NOTE 1	B0249	& ON	AR
- 6D	2641025-5	. SHIM-MAIN LANDING GEAR .010 THICK REFER TO NOTE 1	B0249	& ON	AR
7	SL414-8	. BARREL NUT V72962			04
- 8	LH8065-080	. BARREL NUT ALT FOR SL414-8 V72962			04
9	2452-080RET	. RETAINER V72962			04
		—*—			
10	2641026-1	. RACE-MAIN GEAR TRUNNION	B0271	& ON	02
- 11	2641034-1	. RUB STRIP-MAIN GEAR TRUNNION	B5402	& ON	02
12	M81934/2-32C032	. BEARING-MAIN GEAR TRUNNION V21335			02
13	2641013-2	. SPRING-MAIN GEAR LH & RH FSO 2641013-17	B0001	B0270	NP
- 13A	2641013-4	. SPRING-MAIN GEAR LH & RH FSO 2641013-17	B0271	B0893	NP
- 13B	2641013-6	. SPRING-MAIN GEAR LH & RH FSO 2641013-17	B0894	B1082	NP
- 13C	2641013-8	. SPRING ASSY-MAIN GEAR LH & RH FSO 2641013-17	B1083	B2329	NP
- 13D	2641013-201	. SPRING ASSY-MAIN GEAR LH & RH FSO 2641013-17	B0001	B2329	NP
- 13E	2641013-10	. SPRING ASSY-MAIN GEAR LH & RH FSO 2641013-17	B2330	B2387	NP
- 13F	2694007-8	. SPRING ASSY-MAIN GEAR LH & RH FSO 2641013-17	B2388	B5037	NP
- 13G	2641013-17	. SPRING ASSY-MAIN GEAR LH & RH	B5038	& ON	01
14	2641013-11	. PLUG-MAIN GEAR SPRING LH & RH	B2330	& ON	01
15	2641008-1	. PIN-MAIN GEAR ATTACH FSO 2641008-200	B0001	B0838	NP R
- 15A	2641008-2	. PIN-MAIN GEAR ATTACH FSO 2641008-200	B0839	& ON	NP R
- 15B	2641008-200	. PIN-MAIN GEAR ATTACH	B0001	& ON	01
		ATTACHING PARTS			
16	S1450-4A20-100J	. WASHER			02
17	NAS1149F0463P	. WASHER			02
18	S3461-59	. BOLT MPI			01
19	MS21042L4	. NUT			01
		—*—			

NOTE 1—REFER TO CESSNA MODEL 208 SERIES MAINTENANCE MANUAL FOR INSTALLATION INSTRUCTIONS.
NOTE 2—AIRPLANES -B0271 THRU -B1082 AND AIRPLANES THRU -B0001 THRU -B0873 INCORPORATING CAB03-6.
NOTE 3—AIRPLANES -B1083 THRU -B5401, AND AIRPLANES -B1147 THRU -B5276 INCORPORATING CAB-32-04.
NOTE 4—AIRPLANES -B5402 AND ON, AND AIRPLANES -B1147 THRU -B5276 INCORPORATING CAB-32-04.

CESSNA®
MODEL 208
ILLUSTRATED PARTS CATALOG

A59890



MAIN LANDING GEAR INSTALLATION
FIGURE 02 (SHEET 2)

26414001

CESSNA®
MODEL 208
ILLUSTRATED PARTS CATALOG

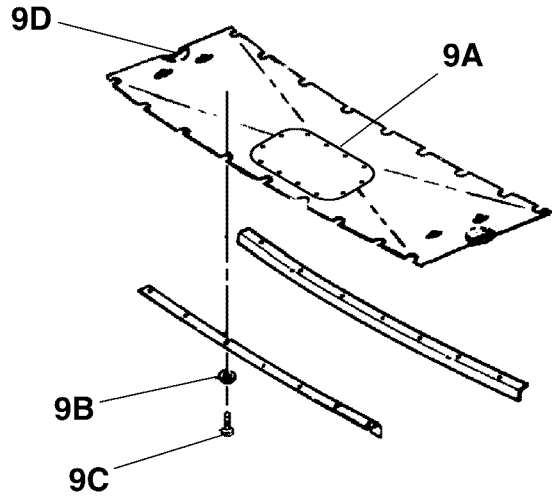
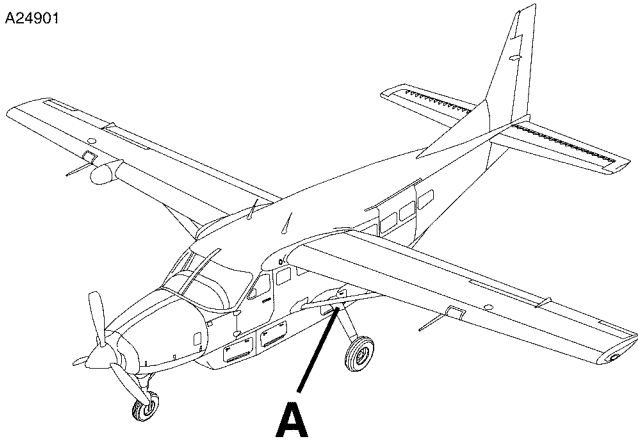
FIG ITEM	PART NUMBER	NOMENCLATURE	UNITS PER ASSY		
			1	2	3
02					
- 75	2641010-1	. AXLE FITTING-MAIN GEAR FSO 2641010-7	B0001	B0105	02
- 75A	2641010-3	. AXLE FITTING-MAIN GEAR FSO 2641010-7	B0106	& ON	02 R
- 75B	2641010-7	. AXLE FITTING ASSY-MAIN GEAR ATTACHING PARTS	B1083	& ON	02
76	NAS464P7A56	. BOLT USED WITH JACK PAD	B0001	B0065	02
- 76A	NAS464P7A56	. BOLT FSO S3461-82 REFER TO NOTE 1	B0066	B0735	NP
- 76B	NAS6207-56	. BOLT ALT FOR NAS464P7A56	B0066	& ON	02
- 76C	S3461-82	. BOLT MPI	B0736	& ON	02
- 76D	NAS1107-56	. BOLT ALT FOR NAS464P7A56	B0066	& ON	02
77	NAS1149F0763P	. WASHER	B0001	B0065	02
78	MS20364-720C	. NUT FSO MS21245L7	B0001	B0735	NP
- 78A	MS21245L7	. NUT —*—	B0736	B1082	02 R
79	2611112-3	. PLATE REFER TO NOTE 1	B0066	& ON	01
80	2611112-2	. STRAP-BRAKE LINE REFER TO NOTE 1	B0066	& ON	01
81	2641011-3	. AXLE-MAIN GEAR FSO 2641011-5	B0001	B0046	NP
- 81A	2641011-4	. AXLE-MAIN GEAR FSO 2641011-5	B0047	B0838	NP
- 81B	2641011-5	. AXLE-MAIN GEAR REFER TO NOTE 2 ATTACHING PARTS	B0839	& ON	02 R
82	NAS1309-56	. BOLT UPPER	B0001	B0893	02
- 82A	NAS6609-56	. BOLT UPPER	B0894	& ON	02
83	NAS1149F0963P	. WASHER			AR
84	NAS1149F0932P	. WASHER —*—			AR
85	NAS1309-40	. BOLT LOWER	B0001	B0893	02
- 85A	NAS6609-40	. BOLT LOWER	B0894	& ON	02
86	NAS1149F0963P	. WASHER			04
87	2641021-1	. SPACER .375 THICK			AR
- 87A	2641021-2	. SPACER .25 THICK			AR
- 87B	2641021-3	. SPACER .125 THICK			AR
88	MS21044N9	. NUT			04
89	2641009-1	. SHIM-MAIN GEAR AXLE .106 AT THICKEST POINT			AR
- 89A	2641009-2	. SHIM-MAIN GEAR AXLE .173 AT THICKEST POINT			AR
- 89B	2641009-3	. SHIM-MAIN GEAR AXLE .240 AT THICKEST POINT			AR
90	2601119-1	. JACK PAD-LH			01
- 90A	2601119-2	. JACK PAD-RH			01
91		. MAIN GEAR WHEEL AND TIRE ASSY REFER TO 32-40-00 FIGURE 01 ATTACHING PARTS			RF
92	MS21025-24	. NUT			01
93	153-00101	. WASHER			AR
94	MS24665-351	. COTTER PIN V33269			02
95		. MAIN WHEEL BRAKE ASSY REFER TO 32-40-00 FIGURE 03 —*—			RF

NOTE 1—FOR AIRPLANES PRIOR TO -B0066 ORDER BOLT, PLATE AND STRAP AS A SET

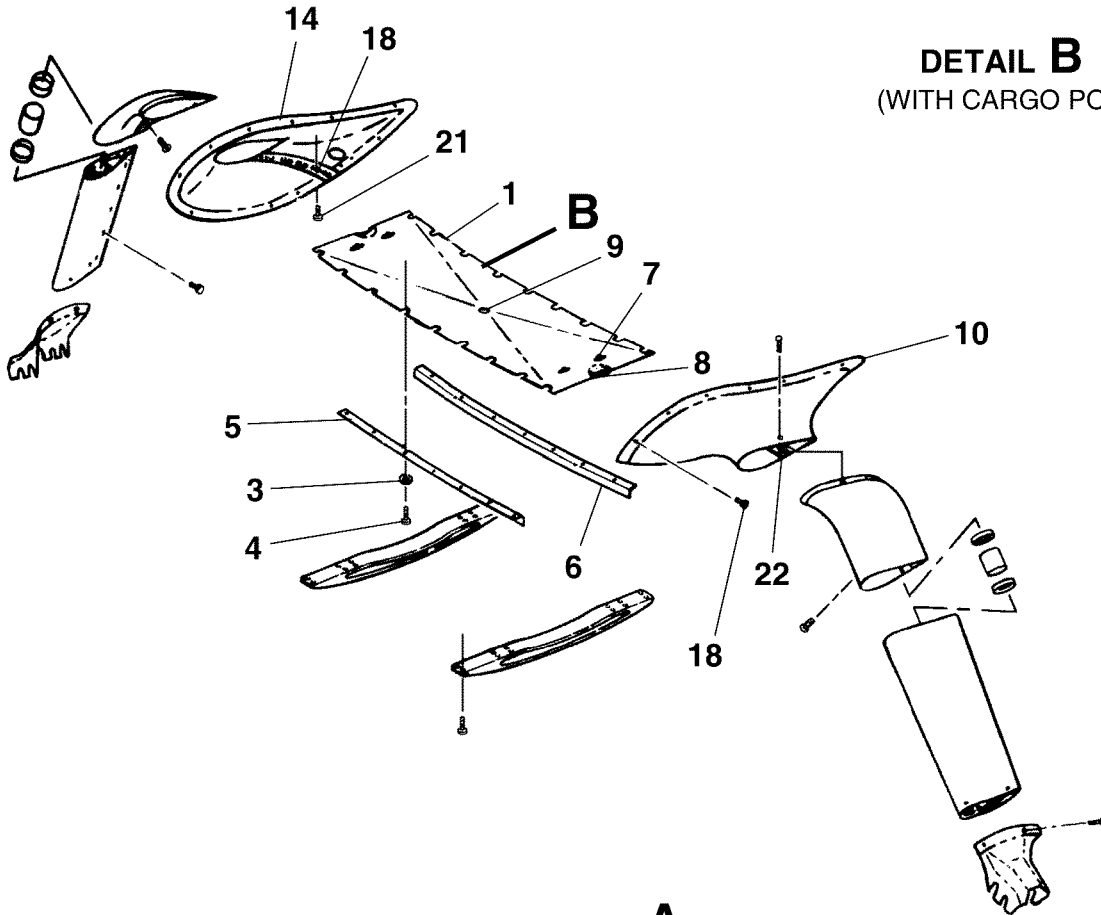
NOTE 2—AIRPLANES -B0839 & ON AND AIRPLANES -B0001 THRU -B0838 INCORPORATING CAB00-3.

CESSNA®
MODEL 208
 ILLUSTRATED PARTS CATALOG

A24901



DETAIL B
 (WITH CARGO POD)



DETAIL A
 (WITHOUT CARGO POD)

MAIN LANDING GEAR FAIRINGS INSTALLATION
 FIGURE 01 (SHEET 1)

2610T7004
 A2641R2001
 B2641R2001A

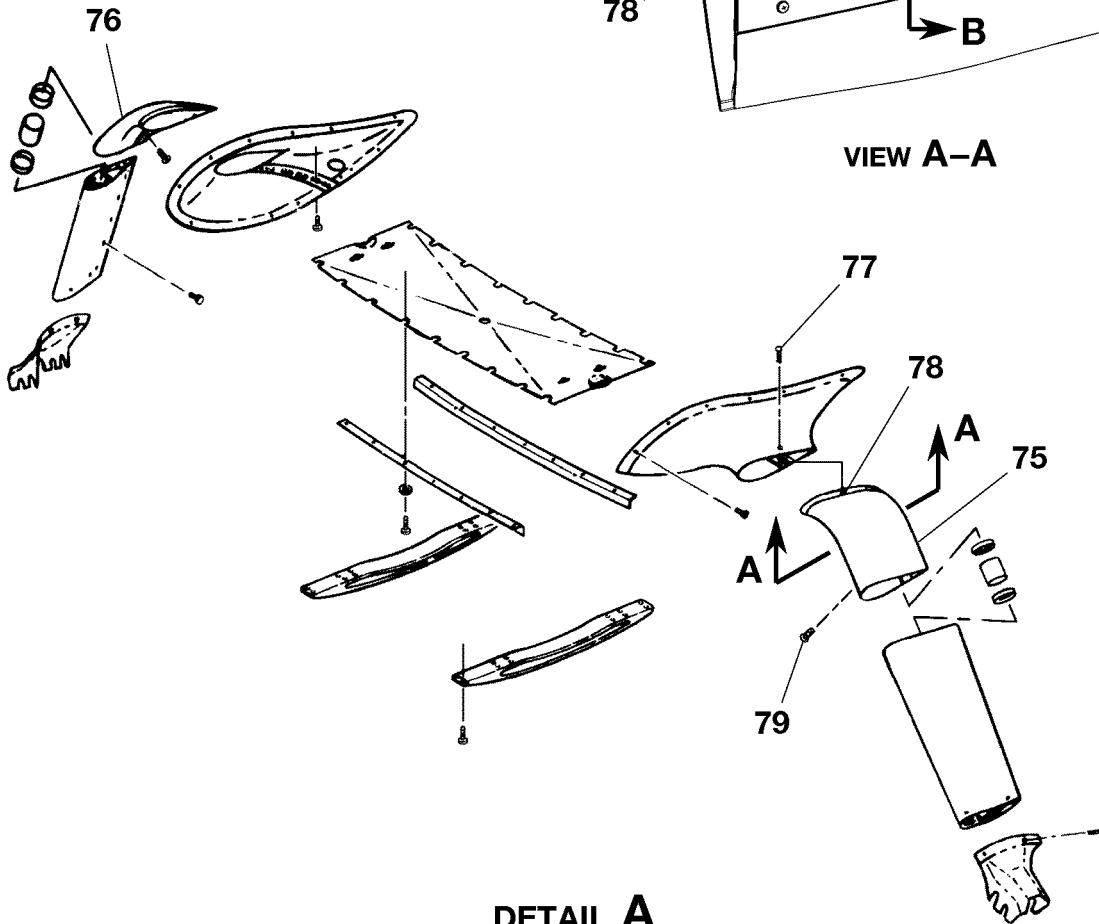
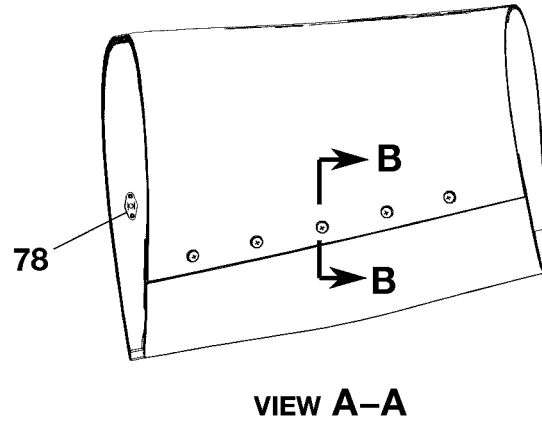
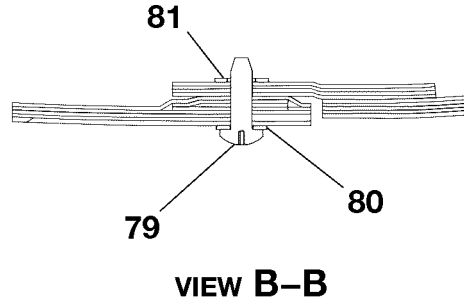
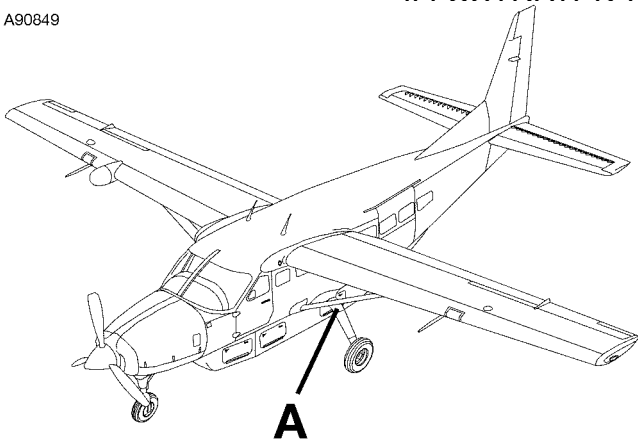
CESSNA®
MODEL 208
ILLUSTRATED PARTS CATALOG

FIG ITEM	PART NUMBER	NOMENCLATURE	UNITS PER ASSY		
			1	2	3
01		MAIN LANDING GEAR FAIRINGS INSTALLATION			RF
-					
1	2611103-4	. COVER ASSY-MAIN LANDING GEAR W/O CARGO POD	0001	& ON	01
- 2	2611103-14	. COVER ASSY-MAIN LANDING GEAR WITH CARGO POD	0001	& ON	01
			B0001	& ON	
3	AN3-3A	. BOLT COVER ASSY ATTACH			18
4	S1450-3-14-032	. WASHER COVER ASSY ATTACH			18
5	2611103-12	. STIFFENER-MLG FWD COVER ASSY ATTACH	0107	& ON	01
			B0001	& ON	
6	2611103-13	. STIFFENER-MLG AFT COVER ASSY ATTACH	0107	& ON	01
			B0001	& ON	
7	MS21047L3K	. NUTPLATE			04
8	Y8560	. POLYURETHANE TAPE BKI W/O CARGO POD	V76381	0001	& ON AR
9	CM2692-8J1S	. PLUG BUTTON WITH CARGO POD	0001	& ON	01
			B0001	& ON	
9A	2611103-16	. COVER WITH CARGO POD			01
		ATTACHING PARTS			
9B	NAS1149F0332P	. WASHER			12
9C	AN3-3A	. BOLT			12
		* _____			
9D	2611103-11	. COVER WITH CARGO POD			02
10	2641018-1	. FAIRING ASSY LH-W/O CARGO POD FSO 2641018-25	0001	0015	NP
- 11	2641018-13	. FAIRING ASSY LH-W/O CARGO POD FSO 2641018-25	0016	0331	NP
			B0180	B0874	
- 11A	2641018-25	. FAIRING ASSY LH-W/O CARGO POD	0332	& ON	01
			B0875	& ON	
- 12	2641018-7	. FAIRING ASSY-LH WITH CARGO POD FSO 2641018-27	0007	0015	NP R
- 13	2641018-21	. FAIRING ASSY LH-WITH CARGO POD FSO 2641018-27	0016	0331	NP
			B0001	B0874	
- 13A	2641018-27	. FAIRING ASSY LH-WITH CARGO POD	0332	& ON	01
			B0875	& ON	
14	2641018-2	. FAIRING ASSY RH-W/O CARGO POD FSO 2641018-26	0001	0015	NP
- 15	2641018-14	. FAIRING ASSY RH-W/O CARGO POD FSO 2641018-26	0016	0331	NP
			B0180	B0874	
- 15A	2641018-26	. FAIRING ASSY RH-W/O CARGO POD	0332	& ON	01
			B0875	& ON	
- 16	2641018-8	. FAIRING ASSY-RH WITH CARGO POD FSO 2641018-28	0007	0015	NP R
- 17	2641018-22	. FAIRING ASSY RH-WITH CARGO POD FSO 2641018-28	0016	0331	NP
			B0001	B0874	
- 17A	2641018-28	. FAIRING ASSY RH-WITH CARGO POD	0332	& ON	01
			B0875	& ON	
18	MS21047L3K	. NUTPLATE-W/O CARGO POD	0001	& ON	05
- 19	MS21047L3K	. NUTPLATE-WITH CARGO POD	0001	& ON	04
			B0001	& ON	
- 20	CM2613-1	. RUBBER-FAIRING SEAL			AR
- 20A	R821486	. RUBBER-FAIRING SEAL-ALT FOR CM2613-1			AR
21	AN525-10R6	. SCREW-W/O CARGO POD-FAIRING ATTACH	0001	& ON	18
22	AN525-10R8	. SCREW-WITH CARGO POD-FAIRING ATTACH	0001	& ON	04
			B0001	& ON	
- 23	MS35207-264	. SCREW-WITH CARGO POD-FAIRING ATTACH	0001	& ON	11
			B0001	& ON	

- ITEM NOT ILLUSTRATED

CESSNA®
MODEL 208
 ILLUSTRATED PARTS CATALOG

A90849



DETAIL A
 (WITHOUT CARGO POD)

MAIN LANDING GEAR FAIRINGS INSTALLATION
 FIGURE 01 (SHEET 2)

2610T7004
 A2641R2001
 AA264T11028
 BB264T11028

CESSNA®
MODEL 208
ILLUSTRATED PARTS CATALOG

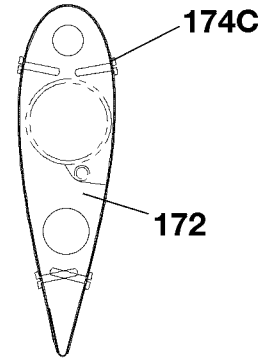
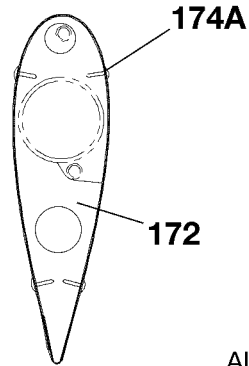
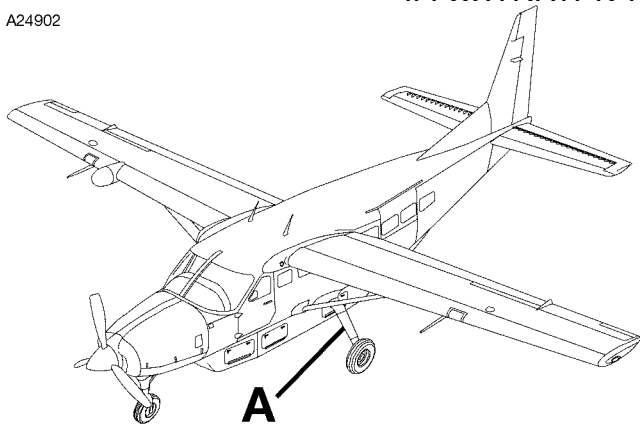
FIG ITEM	PART NUMBER	NOMENCLATURE	UNITS PER ASSY		
			1	2	3
01					
75	2641019-1	. UPPER COVER ASSY-MAIN LANDING GEAR LH FSO 2641032-201	0001	0015	NP
- 75A	2641019-9	. UPPER COVER ASSY-MAIN LANDING GEAR LH FSO 2641032-201	0016	0127	NP
			B0001	B0065	
- 75B	2641019-11	. FAIRING ASSY LH-MAIN LANDING GEAR UPR FSO 2641032-201	0128	0143	NP
			B0066	B0143	
- 75C	2641024-1	. FAIRING ASSY-LH-MAIN LANDING GEAR UPR FSO 2641032-201	0144	0154	NP
			B0144	B0178	
- 75D	2641024-9	. FAIRING ASSY LH-MAIN LANDING GEAR UPR FSO 2641032-201	0155	0324	NP
			B0179	B0823	
- 75E	2641030-1	. FAIRING ASSY LH-MAIN LANDING GEAR UPR FSO 2641032-201	0325	0532	NP
			B824	B2294	
- 75F	DDA06075A-1	. FAIRING ASSY LH-MAIN LANDING GEAR UPR REF 2641032 REFER TO NOTE 1.	0416	0416	01
			0514	0514	
			0523	0532	
			B2090	B2090	
			B2185	B2294	
- 75G	2641032-201	. FAIRING ASSY LH-MAIN LANDING GEAR UPR	0001	0532	01
			B0001	B2294	
- 75H	2641032-1	. FAIRING ASSY LH-MAIN LANDING GEAR UPR FSO 2641032-201	0533	& ON	01
			B2295	& ON	
- 75I	DDA06398-1	. FAIRING ASSY LH-MAIN LANDING GEAR UPR REF 2641032 REFER TO NOTE 1.	0539	0541	01
			B2354	B2394	
76	2641019-2	. UPPER COVER ASSY-MAIN LANDING GEAR RH FSO 2641032-202	0001	0015	NP
- 76A	2641019-10	. UPPER COVER ASSY-MAIN LANDING GEAR RH FSO 2641032-202	0016	0127	NP
			B0001	B0065	
- 76B	2641019-12	. FAIRING ASSY RH- MAIN LANDING GEAR UPR FSO 2641032-202	0128	0143	NP
			B0066	B0143	
- 76C	2641024-2	. FAIRING ASSY-RH-MAIN LANDING GEAR UPR FSO 2641032-202	0144	0152	NP R
			B0144	B0175	
- 76D	2641024-10	. FAIRING ASSY RH- MAIN LANDING GEAR UPR FSO 2641032-202	0155	0324	NP
			B0179	B0823	
- 76E	2641030-2	. FAIRING ASSY RH-MAIN LANDING GEAR UPR FSO 2641032-202	0325	0532	NP
			B0824	B2294	
- 76F	DDA6072A-2	. FAIRING ASSY RH-MAIN LANDING GEAR UPR REF 2641030 REFER TO NOTE 1.	0416	0416	01
			0514	0514	
			0523	0532	
			B2090	B2090	
			B2185	B2294	
- 76G	2641032-202	. FAIRING ASSY RH-MAIN LANDING GEAR UPR	0001	0532	01
			B0001	B2294	
- 76H	2641032-2	. FAIRING ASSY RH-MAIN LANDING GEAR UPR FSO 2641032-202	0533	& ON	01
			B2295	& ON	
- 76I	DDA006398-1	. FAIRING ASSY RH-MAIN LANDING GEAR UPR REF 2641032 REFER TO NOTE 1.	0539	0541	01
			B2354	B2394	
77	AN525-10R6	. SCREW-UPPER COVER ASSY ATTACH	0001	0015	02
- 77A	AN525-10R6	. SCREW-UPPER COVER ASSY ATTACH	0016	0143	01
			B0001	B0143	
- 77B	S1021Z10-10	. SCREW-FAIRING ASSY ATTACH	0144	& ON	01
			B0144	& ON	
78	MS21047L3	. NUTPLATE-UPPER COVER ASSY ATTACH	0001	0015	02
- 78A	MS21047L3	. NUTPLATE-UPPER COVER ASSY ATTACH	0016	0143	01
			B0001	B0143	
- 78B	S3431-4A	. NUTPLATE-FAIRING ASSY ATTACH	0144	& ON	01
			B0144	& ON	
79	AN525-10R6	. . SCREW	0001	0143	18
			B0001	B0143	
- 79A	S1021Z10-10	. . SCREW	0144	& ON	10
			B0144	& ON	
80	NAS1149F0332P	. . WASHER	0533	& ON	10
			B2295	& ON	
81	MS21047L3	. . NUTPLATE	0001	0015	10
			0016	0127	
			B0001	B0065	
			0144	& ON	
			B0144	& ON	
- 82	MS21047L3K	. . NUTPLATE-USED WITH 2641019-11 AND -12 FAIRING ONLY	0128	0143	10
			B0066	B0143	

NOTE 1—WHEN ORDERING DDA PART NUMBERS, ALSO PROVIDE REFERENCE DRAWING NUMBER SHOWN IN NOMENCLATURE COLUMN.

- ITEM NOT ILLUSTRATED

CESSNA®
MODEL 208
 ILLUSTRATED PARTS CATALOG

A24902

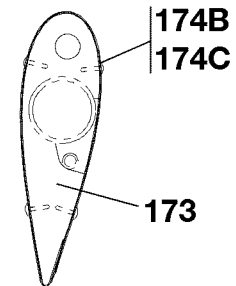


VIEW A-A

AIRPLANES 20800533 AND ON
 AND 208B2295 AND ON

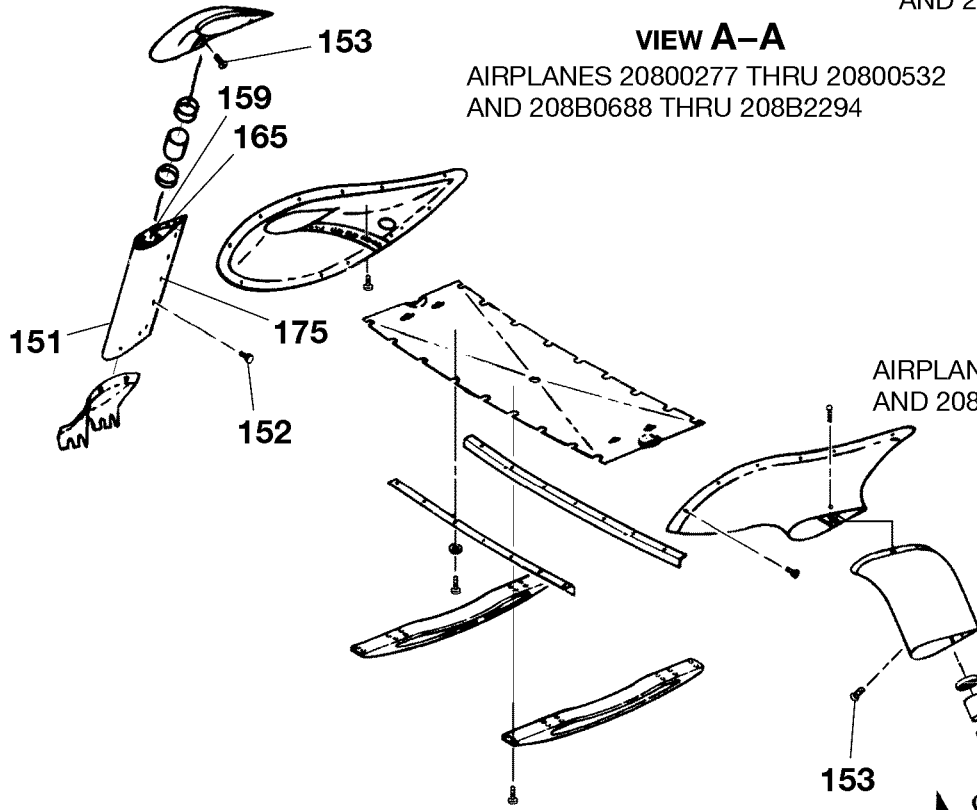
VIEW A-A

AIRPLANES 20800277 THRU 20800532
 AND 208B0688 THRU 208B2294

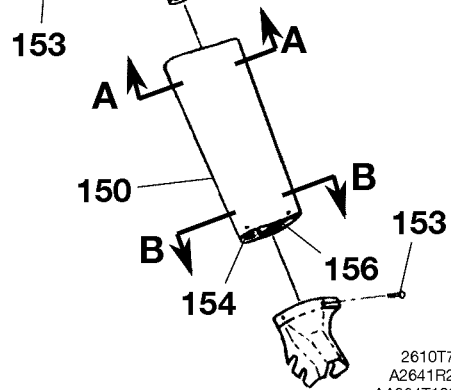


VIEW B-B

AIRPLANES 20800277 AND ON
 AND 208B0688 AND ON



DETAIL A



2610T7004
 A2641R2001
 AA264T1028-1
 BB264T1028-3

**MAIN LANDING GEAR FAIRINGS INSTALLATION
 FIGURE 01 (SHEET 3)**

CESSNA®
MODEL 208
ILLUSTRATED PARTS CATALOG

FIG ITEM	PART NUMBER	NOMENCLATURE	UNITS PER ASSY		
			1	2	3
01					
150	2641016-75	. COVER ASSY-LH MAIN LANDING GEAR FSO 2641028-1	0198	0276	NP R
- 150A	2641028-1	. MLG FAIRING ASSY-LH	B0276	B0667	
- 150B	2641028-3	. MLG FAIRING ASSY-LH	0277	0532	01
151	2641016-76	. COVER ASSY-RH-MAIN LANDING GEAR FSO 2641028-2	B0668	B2294	
- 151A	2641028-2	. MLG FAIRING ASSY-RH	0533	& ON	01
- 151B	2641028-4	. MLG FAIRING ASSY-RH	B2295	& ON	
152	AN525-10R6	. SCREW-COVER ASSY ATTACH	0198	0276	NP R
153	AN525-10R6	. SCREW-FAIRING TO UPPER COVER ATTACH	B0233	B0667	
154	2641016-31	. . . BAFFLE ASSY-LWR LH FWD FSO GF8-102	0277	0532	01
- 155	2641016-32	. . . BAFFLE ASSY-LWR RH FWD FSO GF8-102	B0668	B2294	
156	2641016-71	. . . BAFFLE ASSY-LWR LH AFT FSO GF8-102	0533	& ON	01
- 157	2641016-72	. . . BAFFLE ASSY-LWR RH AFT FSO GF8-102	B2295	& ON	
- 158	MS21069L3K	. . . NUTPLATE	0001	0276	10
159	2641016-56	. . . BAFFLE ASSY-UPR RH FWD FSO GF8-101 REFER TO NOTE 3	0001	0276	16
- 160	2641016-202	. . . BAFFLE ASSY-UPR RH FWD SPARES FSO GF8-101 REFER TO NOTE 1	B0001	B0667	
- 161	2641016-55	. . . BAFFLE ASSY-UPR LH FWD FSO GF8-101 REFER TO NOTE 3	0128	0276	NP R
- 162	2641016-201	. . . BAFFLE ASSY-UPR LH FWD SPARES FSO GF8-101 REFER TO NOTE 1	B0066	B0667	
- 163	2641016-203	. . . BAFFLE ASSY-LH FWD REFER TO NOTE 1	0128	0276	NP R
- 164	2641016-44	. . . RUB STRIP-FWD REFER TO NOTE 1	B0233	B0667	
165	2641016-66	. . . BAFFLE ASSY-UPR RH AFT FSO GF8-101	0198	0276	NP R
- 166	2641016-65	. . . BAFFLE ASSY-UPR LH AFT FSO GF8-101	B0233	B0667	
- 167	MS21049L08K	. . . NUTPLATE	0198	0276	NP R
- 168	S4132-1	. . . ANCHOR-BRAKE LINE ATTACH	B0233	B0667	
- 169	MS3367-1-9	. . . STRAP-ATTACH BRAKE LINE TO MOUNT	0198	0276	NP R
- 170	2641029-1	. . . COVER ASSY-LH-MAIN LANDING GEAR	B0233	B0667	
- 171	2641029-2	. . . COVER ASSY-RH-MAIN LANDING GEAR	0001	0276	02
172	GF8-101	. . . UPPER GEAR FAIRING RIB LH & RH REFER TO NOTE 2 V0TVR6	B0001	B0667	
173	GF8-102	. . . LOWER GEAR FAIRING RIB LH & RH REFER TO NOTE 2 V0TVR6	0140	0276	NP
- 174	S1021A10-8	. . . SCREW REFER TO NOTE 2	B0115	B0667	
174A	S1021A10-10	. . . SCREW	B0001	B0416	NP
174B	S1021A10-10	. . . SCREW	0140	0276	NP
174C	94090A100	. . . SCREW	B0115	B0667	
175	MS21047L3K	. . . NUTPLATE	0001	0240	NP
- 175A	MS21047L3	. . . NUTPLATE	0001	0276	NP

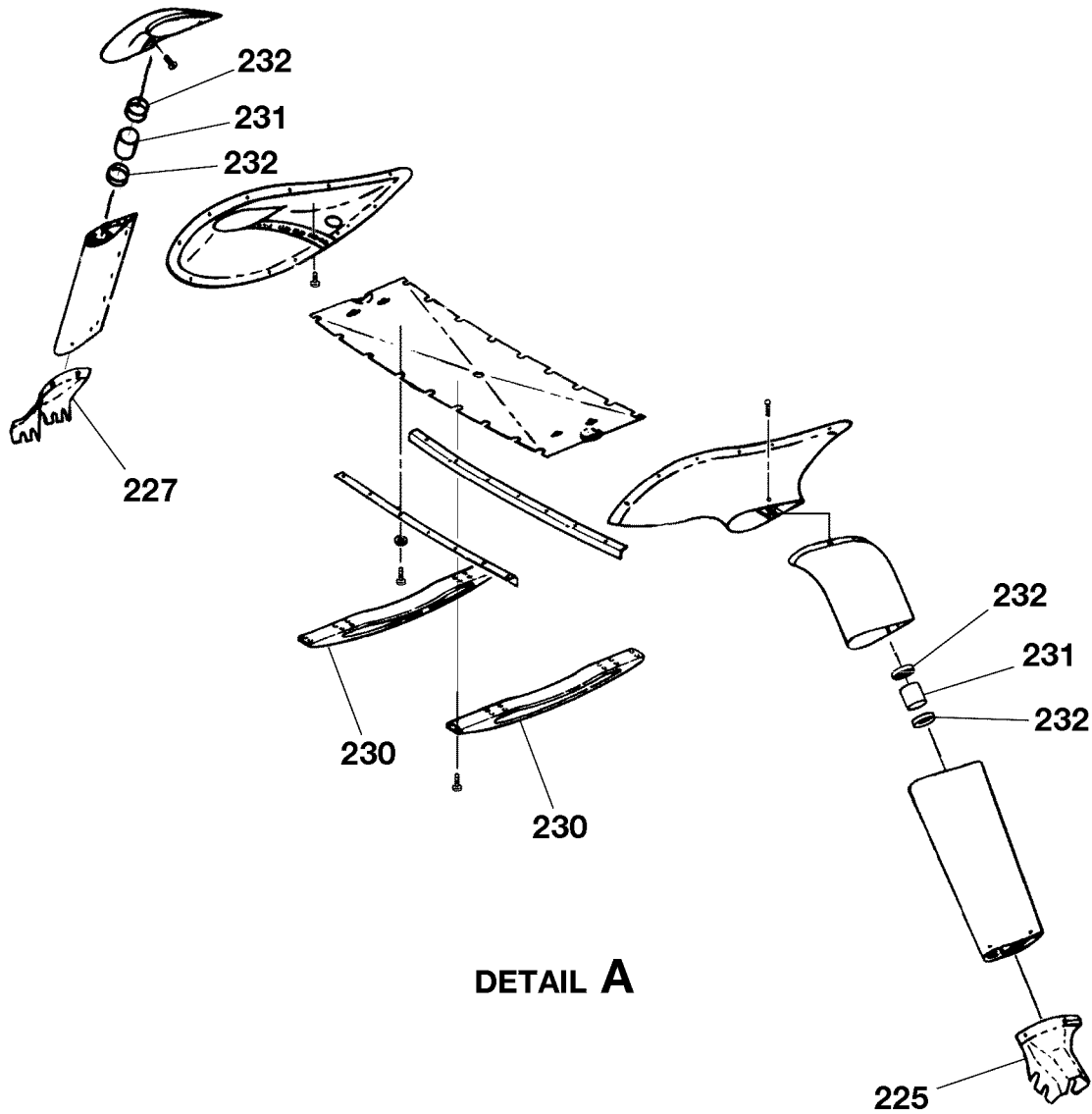
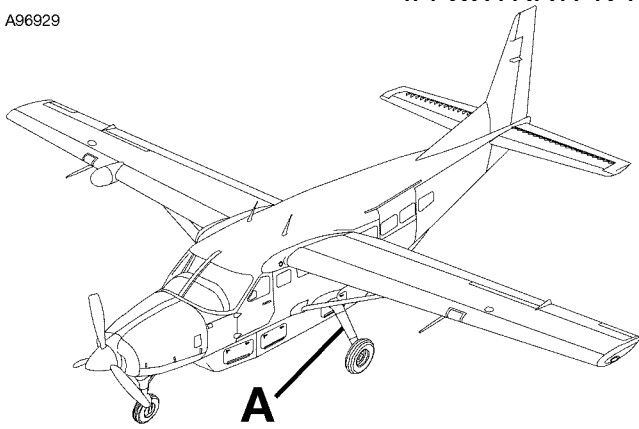
NOTE 1—AIRPLANES -0140 THRU -0240 AND -B0001 THRU -B0416 INCORPORATING CAB94-18.

NOTE 2—AIRPLANES -0277 & ON AND -B0668 & ON, AND AIRPLANES -0001 THRU -0276 AND -B0001 THRU -B0667 INCORPORATING SK208-134.

NOTE 3—AIRPLANES -0140 THRU -0276 AND -B0001 THRU -B0667 NOT INCORPORATING SK208-134.

CESSNA®
MODEL 208
ILLUSTRATED PARTS CATALOG

A96929



DETAIL A

MAIN LANDING GEAR FAIRINGS INSTALLATION
FIGURE 01 (SHEET 4)

2610T7004
A2641R2001

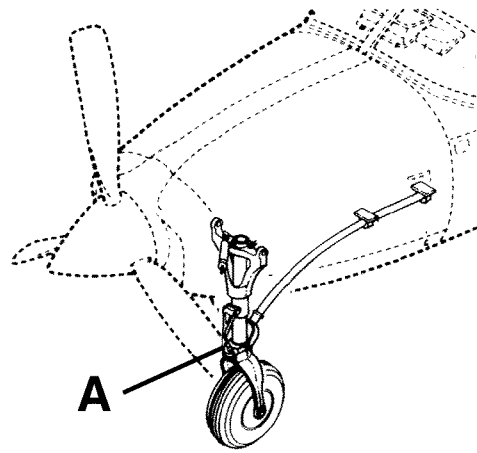
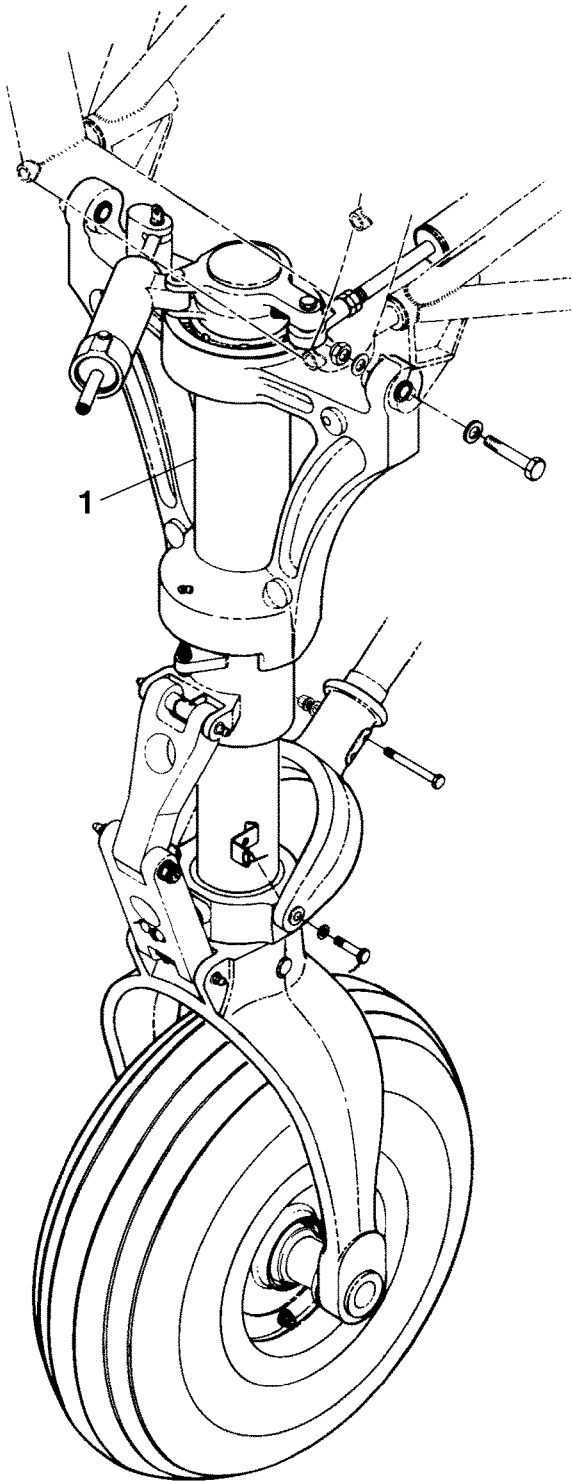
CESSNA®
MODEL 208
 ILLUSTRATED PARTS CATALOG

FIG ITEM	PART NUMBER	NOMENCLATURE	UNITS PER ASSY		
			1	2	3
01					
225	2641017-3	. COVER ASSY-AXLE FITTING LH FSO 2641017-7	0001	0235	NP R
- 226	2641017-7	. COVER ASSY-AXLE FITTING LH	B0001	B0377	
			0236	& ON	01
			B0378	& ON	
227	2641017-4	. COVER ASSY-AXLE FITTING RH FSO 2641017-8	0001	0235	NP R
- 228	2641017-8	. COVER ASSY-AXLE FITTING RH	B0001	B0377	
			0236	& ON	01
			B0378	& ON	
- 229	MS21047L3	. . NUTPLATE			01
230		. STIFFENER-MLG BAY REFER TO 53-30-01 FIGURE 02			RF
231	2641016-43	. RUB TUBE	0128	0276	02
			B0066	B0667	
		ATTACHING PARTS			
232	AN737TW82	. CLAMP	0128	0276	02
			B0066	B0667	

—*—

CESSNA®
MODEL 208
ILLUSTRATED PARTS CATALOG

A38417



DETAIL A

NOSE GEAR INSTALLATION
FIGURE 01 (SHEET 1)

26421001
A26422003

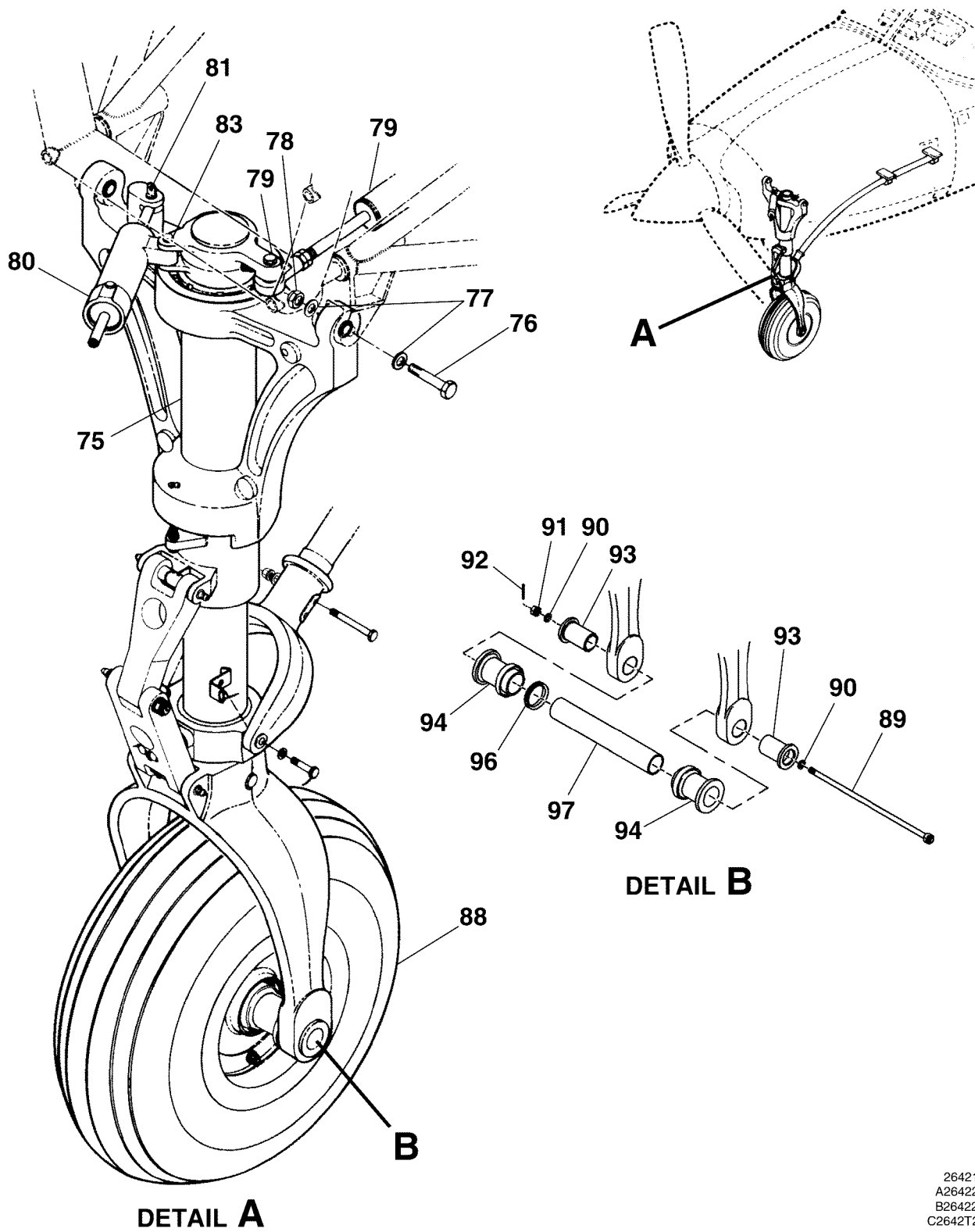
CESSNA®
MODEL 208
ILLUSTRATED PARTS CATALOG

FIG ITEM	PART NUMBER	NOMENCLATURE	UNITS PER ASSY	
			1 2 3 4 5 6 7	
01		NOSE GEAR INSTALLATION		RF
-				
1	2643045-1	. NOSE GEAR ASSY FSO 2643100-10	0001	0140 NP
- 1A	2643095-1	. NOSE GEAR ASSY FSO 2643100-10	0141	0186 NP
- 1B	2643095-4	. NOSE GEAR ASSY FSO 2643100-10	0187	0199 NP
- 1C	2643095-7	. NOSE GEAR ASSY FSO 2643100-10	0200	0201 NP
- 1D	2643095-10	. NOSE GEAR ASSY FSO 2643100-10	0202	0217 NP
- 1E	2643100-1	. NOSE GEAR ASSY FSO 2643100-10	0218	0246 NP
- 1F	2643100-4	. NOSE GEAR ASSY FSO 2643100-10	0247	0276 NP
- 1H	2643100-7	. NOSE GEAR ASSY FSO 2643100-10	0277	0295 NP
- 1J	2643100-10	. NOSE GEAR ASSY	0296	0393 01
- 2	2643095-2	. NOSE GEAR ASSY-LARGE WHEEL & TIRE	0001	0186 01
			B0001	B0215
- 2A	2643095-5	. NOSE GEAR ASSY-LARGE WHEEL & TIRE	0187	0199 01
			B0216	B0247
- 2B	2643095-8	. NOSE GEAR ASSY-LARGE WHEEL & TIRE	0200	0201 01
			B0248	B0255
- 2C	2643095-11	. NOSE GEAR ASSY-LARGE WHEEL & TIRE	0202	0217 01
			B0256	B0306
- 3	2643095-3	. NOSE GEAR ASSY-TALL FORK	0001	0186 01
			B0001	B0215
- 3A	2643095-6	. NOSE GEAR ASSY-TALL FORK	0187	0199 01
			B0216	B0247
- 3B	2643095-9	. NOSE GEAR ASSY-TALL FORK	0200	0201 01
			B0248	B0255
- 3C	2643095-12	. NOSE GEAR ASSY-TALL FORK	0202	0217 01
			B0256	B0306
- 4	2643100-1	. NOSE GEAR ASSY-SMALL WHEEL & TIRE WITH SHORT FORK	0218	0246 01
- 4A	2643100-4	. NOSE GEAR ASSY-SMALL WHEEL & TIRE WITH SHORT FORK	0247	0276 01
- 4B	2643100-7	. NOSE GEAR ASSY-SMALL WHEEL & TIRE WITH SHORT FORK	0277	0295 01
- 4C	2643100-10	. NOSE GEAR ASSY-SMALL WHEEL & TIRE WITH SHORT FORK	0296	0393 01
- 4D	2643100-16	. NOSE GEAR ASSY-SMALL WHEEL & TIRE WITH SHORT FORK	0394	0395 01
- 5	2643100-2	. NOSE GEAR ASSY-LARGE WHEEL & TIRE WITH SHORT FORK	0218	0246 01
			B0307	B0501
- 5A	2643100-5	. NOSE GEAR ASSY-LARGE WHEEL & TIRE WITH SHORT FORK	0247	0276 01
			B0502	B0689
- 5B	2643100-8	. NOSE GEAR ASSY-LARGE WHEEL & TIRE WITH SHORT FORK	0277	0295 01
			B0690	B0723
- 5C	2643100-11	. NOSE GEAR ASSY-LARGE WHEEL & TIRE WITH SHORT FORK	0296	0393 01
			B0724	B1139
- 5D	2643100-17	. NOSE GEAR ASSY-LARGE WHEEL & TIRE WITH SHORT FORK	0394	& ON 01
			B1140	& ON
- 6	2643100-3	. NOSE GEAR ASSY-LARGE WHEEL & TIRE WITH TALL FORK	0218	0246 01
			0307	B0501
- 6A	2643100-6	. NOSE GEAR ASSY-LARGE WHEEL & TIRE WITH TALL FORK	0247	0276 01
			B0502	B0686
- 6B	2643100-9	. NOSE GEAR ASSY-LARGE WHEEL & TIRE WITH TALL FORK	0277	0295 01
			B0690	B0723
- 6C	2643100-12	. NOSE GEAR ASSY-LARGE WHEEL & TIRE WITH TALL FORK	0296	0393 01
			B0724	B1139
- 6D	2643100-18	. NOSE GEAR ASSY-LARGE WHEEL & TIRE WITH TALL FORK	0394	0396 01
			B1140	B1172
- 6E	2643100-19	. NOSE GEAR ASSY-LARGE WHEEL & TIRE WITH TALL FORK	0397	0403 01
			B1173	B1223
- 6F	2643100-20	. NOSE GEAR ASSY-LARGE WHEEL & TIRE WITH TALL FORK	0404	0563 01
			B1224	B5144
- 6G	2643100-23	. NOSE GEAR ASSY-LARGE WHEEL & TIRE WITH TALL FORK	0564	0600 01
			B5145	B5400
- 6H	2643100-24	. NOSE GEAR ASSY-LARGE WHEEL & TIRE WITH TALL FORK	0601	& ON 01
			B5401	& ON

- ITEM NOT ILLUSTRATED

CESSNA®
MODEL 208
ILLUSTRATED PARTS CATALOG

A24903



NOSE GEAR INSTALLATION
FIGURE 01 (SHEET 2)

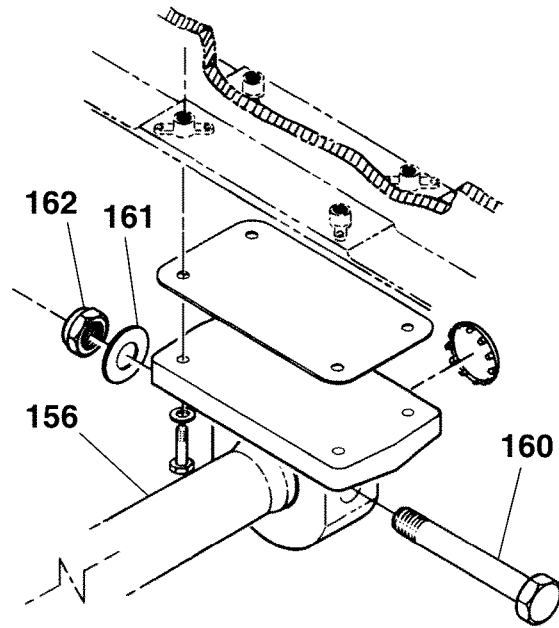
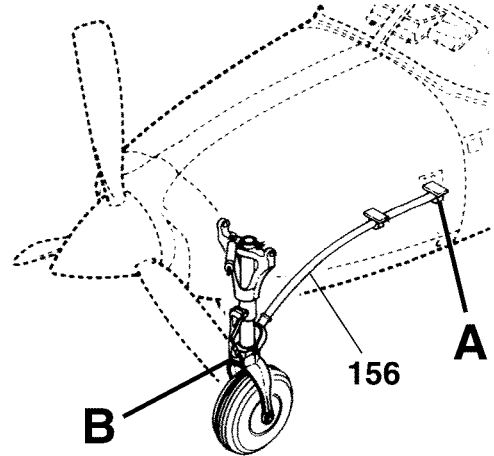
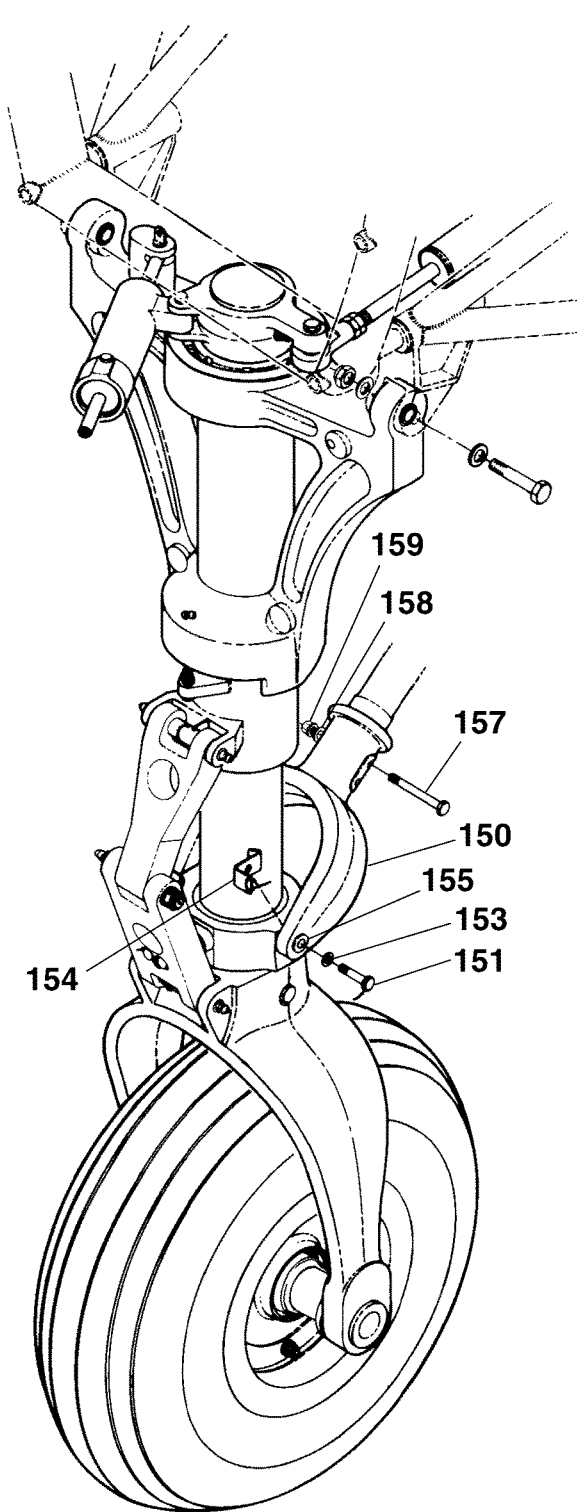
CESSNA®
MODEL 208
ILLUSTRATED PARTS CATALOG

FIG ITEM	PART NUMBER	NOMENCLATURE	UNITS PER ASSY	
			1 2 3 4 5 6 7	
01				
75		.. NOSE GEAR SHOCK STRUT ASSY REFER TO 32-20-00 FIGURE 02.....		RF
76	NAS6208-30	.. BOLT-NOSE GEAR SHOCK STRUT ASSY ATTACH FSO S3461-94.....	0001 0302	NP
- 76A	S3461-94	.. BOLT MPI-NOSE GEAR SHOCK STRUT ASSY ATTACH.....	B0001 B0735 0303 & ON B0736 & ON	02
77	NAS1149F0832P	.. WASHER-NOSE GEAR SHOCK STRUT ASSY ATTACH.....		AR
78	MS21245-L8	.. NUT-NOSE GEAR SHOCK STRUT ASSY ATTACH.....		02
79		.. NOSE GEAR STEERING REFER TO 32-50-00 FIGURE 01.....		RF
80		.. NOSE GEAR SHIMMY DAMPENER ASSY REFER TO 32-20-01 FIGURE 01 AND 02.....		RF
81	AN43B-C12	.. EYE BOLT-NOSE GEAR SHIMMY DAMPENER ASSY ATTACH.....		01
- 82	MS24665-140	.. PIN-NOSE GEAR SHIMMY DAMPENER ASSY ATTACH.....		01
83	AN4-17	.. BOLT-NOSE GEAR SHIMMY DAMPENER ASSY ATTACH.....		01
- 84	NAS1149F0463P	.. WASHER-NOSE GEAR SHIMMY DAMPENER ASSY ATTACH.....		02
- 85	AN310-4	.. NUT-NOSE GEAR SHIMMY DAMPENER ASSY ATTACH.....		01
- 86	MS24665-134	.. COTTER PIN-NOSE GEAR SHIMMY DAMPENER ASSY ATTACH.....		01
- 87	NAS1149D0416K	.. WASHER-NOSE GEAR SHIMMY DAMPENER ASSY ATTACH.....		AR
88		.. NOSE GEAR WHEEL AND TIRE ASSY REFER TO 32-40-00 FIGURE 02..		RF
89	2643005-3	.. STUD ASSY-NOSE GEAR WHEEL AND TIRE ASSY ATTACH.....	0141 0199 B0124 B0247 0200 & ON B0248 & ON	01
- 89A	2643005-6	.. STUD ASSY-NOSE GEAR WHEEL AND TIRE ASSY ATTACH.....		01
90	NAS1149F0663P	.. WASHER-NOSE GEAR WHEEL AND TIRE ASSY ATTACH.....		02
91	MS17825-6	.. NUT-NOSE GEAR WHEEL AND TIRE ASSY ATTACH.....		01
92	MS24665-285	.. COTTER PIN-NOSE GEAR WHEEL AND TIRE ASSY ATTACH.....		01
93	2643005-5	.. BUCKET-AXLE BOLT-NOSE GEAR WHEEL AND TIRE ASSY ATTACH FSO 2643005-8.....	0187 0216 B0216 B0689	NP R
- 93A	2643005-8	.. BUCKET-AXLE BOLT-NOSE GEAR WHEEL AND TIRE ASSY ATTACH.....	0277 & ON B0690 & ON	02
94	2643023-4	.. SPACER-NOSE GEAR WHEEL AND TIRE ASSY ATTACH FSO 2643097-1..	0092 0201 B0001 B0255	NP R
- 95	2643097-1	.. SPACER ASSY-NOSE GEAR WHEEL AND TIRE ASSY ATTACH.....	0202 & ON B0256 & ON	02
96	400454	.. OIL SEAL-NOSE GEAR WHEEL AND TIRE ASSY ATTACH REFER TO NOTE 1.....	V80201 0202 & ON B0256 & ON	01
97	2643023-1	.. AXLE-NOSE GEAR WHEEL AND TIRE ASSY ATTACH.....		01

NOTE 1—AIRPLANES -0202 & ON AND -B0256 & ON, AND AIRCRAFT INCORPORATING CAB91-30.

CESSNA®
MODEL 208
ILLUSTRATED PARTS CATALOG

A103533



NOSE GEAR INSTALLATION
FIGURE 01 (SHEET 3)

26421001
A26422001
B26422003

CESSNA®
MODEL 208
ILLUSTRATED PARTS CATALOG

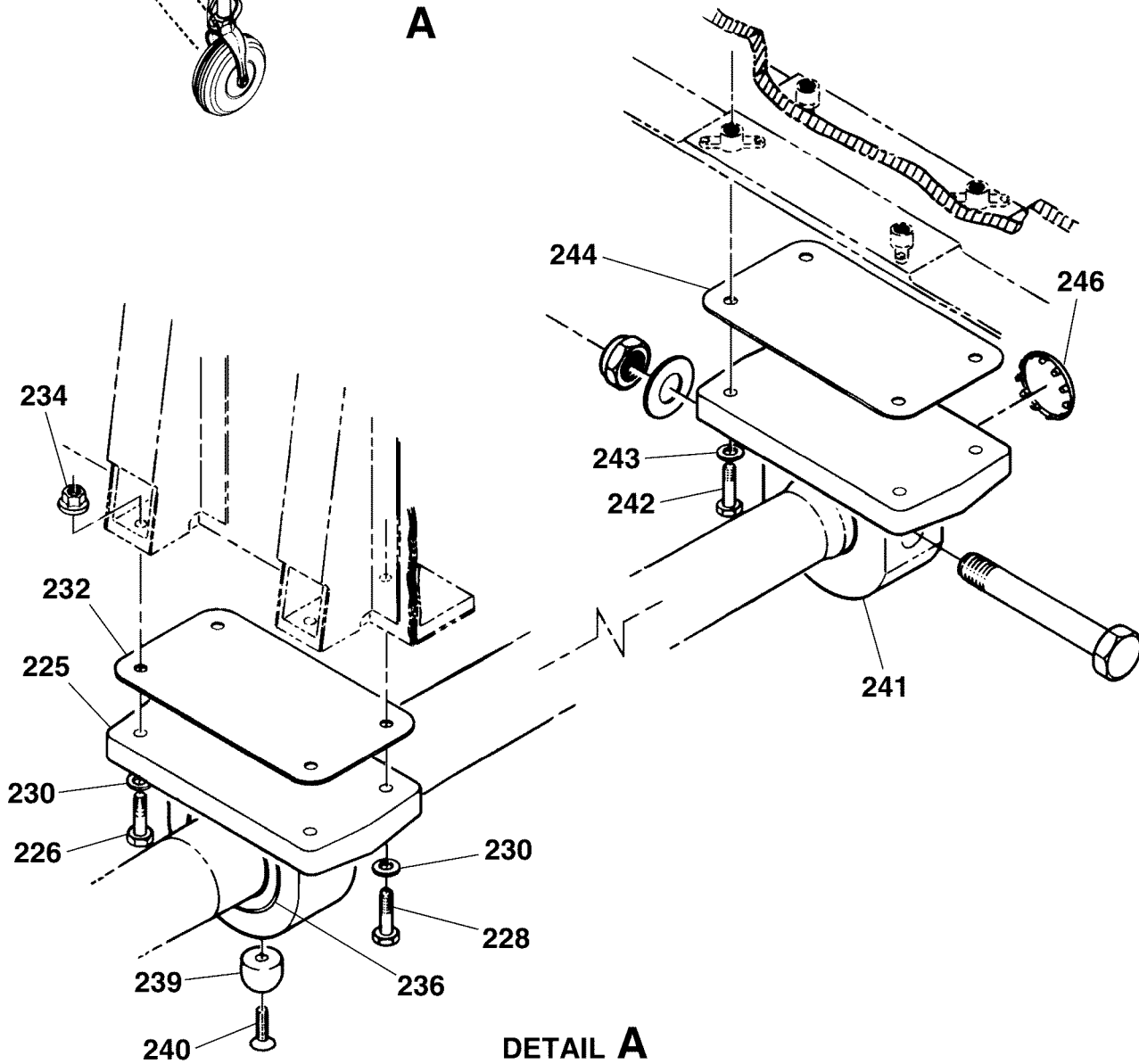
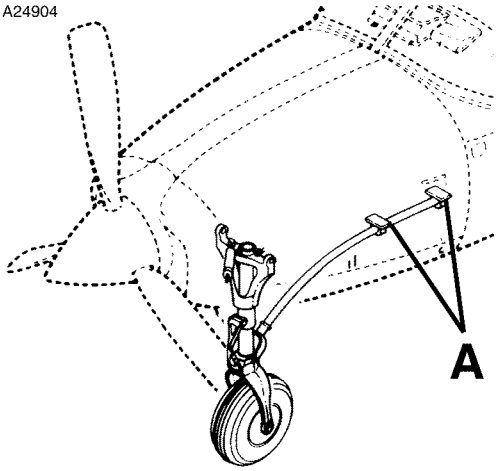
FIG ITEM	PART NUMBER	NOMENCLATURE	UNITS PER ASSY																
			1	2	3	4	5	6	7										
01																			
150	2643031-1	.. FORK ASSY-NOSE GEAR SPRING FSO 2643031-7																	
- 150A	2643031-7	.. FORK ASSY-NOSE GEAR SPRING																	
151	NAS6205-14H	.. BOLT-NOSE GEAR SPRING FORK ASSY ATTACH FSO S3461-88																	
- 151A	S3461-88	.. BOLT MPI-NOSE GEAR SPRING FORK ASSY ATTACH																	
- 152	NAS1305-14DH	.. BOLT ALT-NOSE GEAR SPRING FORK ASSY ATTACH FSO S3461-62																	
- 152A	S3461-62	.. BOLT MPI ALT-NOSE GEAR SPRING FORK ASSY ATTACH																	
153	NAS1149F0563P	.. WASHER-NOSE GEAR SPRING FORK ASSY ATTACH																	
154	2643029-1	.. CLIP-NOSE GEAR SPRING FORK ASSY ATTACH FSO 2643029-2																	
- 154A	2643029-2	.. CLIP-NOSE GEAR SPRING FORK ASSY ATTACH																	
155	MS24462-5	.. BEARING																	
156	2643062-1	.. SPRING-NOSE GEAR FSO 2643062-4																	
- 156A	2643062-2	.. SPRING-NOSE GEAR FSO 2643062-4																	
- 156B	2643062-3	.. SPRING-NOSE GEAR FSO 2643062-4																	
- 156C	DDA06381-1	.. SPRING-NOSE GEAR REF 2643000 AND 2643062 REFER TO NOTE 1 ..																	
- 156D	DDA06382-1	.. SPRING-NOSE GEAR																	
- 156E	2643062-4	.. SPRING-NOSE GEAR																	
157	NAS464P5A32	.. BOLT-NOSE GEAR SPRING ATTACH FSO S3461-78																	
- 157A	S3461-78	.. BOLT MPI-NOSE GEAR SPRING ATTACH																	
158	NAS1149F0563P	.. WASHER-NOSE GEAR SPRING ATTACH																	
159	MS21042L5	.. NUT-NOSE GEAR SPRING ATTACH																	
160	NAS464P10A52	.. BOLT-NOSE GEAR SPRING ATTACH FSO S3461-67																	
- 160A	S3461-67	.. BOLT MPI-NOSE GEAR SPRING ATTACH FSO S3461-214																	
- 160B	S3461-214	.. BOLT MPI-NOSE GEAR SPRING ATTACH																	
161	NAS1149F1063P	.. WASHER-NOSE GEAR SPRING ATTACH																	
162	MS21245-L10	.. NUT-NOSE GEAR SPRING ATTACH																	

NOTE 1—WHEN ORDERING DDA PART NUMBERS, ALSO PROVIDE REFERENCE DRAWING NUMBER SHOWN IN NOMENCLATURE COLUMN.

CESSNA®
MODEL 208

ILLUSTRATED PARTS CATALOG

A24904



NOSE GEAR INSTALLATION
FIGURE 01 (SHEET 4)

2610R7005
A2642R2001

CESSNA®
MODEL 208
ILLUSTRATED PARTS CATALOG

FIG ITEM	PART NUMBER	NOMENCLATURE	UNITS PER ASSY		
			1	2	3
01					
225	2643030-1	.. SUPPORT ASSY-NOSE GEAR SPRING FWD FSO 2643103-200 REFER TO NOTE 1 AND NOTE 4 AND NOTE 5.....	0001	0219	NP
- 225A	2643030-200	.. SUPPORT ASSY-NOSE GEAR SPRING FWD FSO 2643103-200 REFER TO NOTE 1 AND NOTE 4 AND NOTE 5.....	B0001	B0311	
- 225B	2643030-201	.. SUPPORT ASSY-NOSE GEAR SPRING FWD 2643103-200 REFER TO NOTE 1 AND NOTE 4 AND NOTE 5.....	0001	0219	NP
- 225C	2643103-200	.. SUPPORT ASSY-NOSE GEAR SPRING FWD REFER TO NOTE 4 AND NOTE 5.....	B0001	B0311	
- 225D	2643099-1	.. SUPPORT ASSY-NOSE GEAR SPRING FWD FSO 2643103-1 REFER TO NOTE 2 AND NOTE 4.....	0001	0219	01
- 225E	2643099-2	.. SUPPORT ASSY-NOSE GEAR SPRING FWD FSO 2643103-1 REFER TO NOTE 4.....	B0001	B0311	
- 225F	2643099-3	.. SUPPORT ASSY-NOSE GEAR SPRING FWD FSO 2643103-1 REFER TO NOTE 4.....	0220	0238	NP
- 225G	2643099-4	.. SUPPORT ASSY-NOSE GEAR SPRING FWD FSO 2643103-1 REFER TO NOTE 4.....	B0312	B0406	
- 225H	2643103-1	.. SUPPORT ASSY-NOSE GEAR SPRING FWD REFER TO NOTE 4.....	0239	0363	NP
		ATTACHING PARTS	B0407	B1004	
226	AN5-12A	.. BOLT FWD ATTACH REFER TO NOTE 1.....	0364	0381	NP
- 227	NAS1306-13	.. BOLT FWD ATTACH REFER TO NOTE 2.....	B1005	B1082	
- 227A	NAS6606-14	.. BOLT FWD ATTACH REFER TO NOTE 1.....	0382	0532	NP
228	AN5-13A	.. BOLT AFT ATTACH REFER TO NOTE 1.....	B1083	B2306	
- 228A	NAS1306-13	.. BOLT AFT ATTACH REFER TO NOTE 2.....	0533	& ON	01
- 229	NAS6606-13	.. BOLT AFT ATTACH REFER TO NOTE 2.....	B2307	& ON	
230	NAS1149F0563P	.. WASHER REFER TO NOTE 1.....			
- 231	NAS1149F0663P	.. WASHER REFER TO NOTE 2.....			
232	2643079-1	.. SHIM .032 THICK.....			
- 233	2643079-2	.. SHIM .063 THICK.....			
234	MS21042L5	.. NUT REFER TO NOTE 1.....			
- 235	MS21042L6	.. NUT REFER TO NOTE 2.....	0001	0216	04
		—*—	B0001	B0303	
236	2643030-3	.. LINER ASSY-NOSE GEAR SUPPORT FSO 2643103-2.....	0217	& ON	02
- 236A	2643102-1	.. LINER ASSY-NOSE GEAR SUPPORT FSO 2643103-2.....	B0304	& ON	
- 236B	2643102-4	.. LINER ASSY-NOSE GEAR SUPPORT FSO 2643103-2.....	0361	& ON	02
- 236C	2643103-2	.. LINER ASSY-NOSE GEAR SUPPORT.....	0001	0219	02
- 237	6705153-3	.. PLACARD-SERIAL AND PART NUMBER REFER TO NOTE 3.....	B0001	B0303	
- 238	3016	.. GREASE FITTING REFER TO NOTE 3.....	0220	0360	02
239	1400110-2	.. JACK POINT.....	B0304	& ON	
		ATTACHING PARTS	0361	& ON	02
240	MS24694-S54	.. SCREW.....	0001	0219	02
		—*—	B0001	B0303	
241	2643055-1	.. SUPPORT-NOSE GEAR.....	0217	& ON	04
- 241A	2643055-5	.. SUPPORT ASSY-NOSE GEAR.....	B0304	& ON	
		ATTACHING PARTS			
242	AN5-13A	.. BOLT.....			
243	NAS1149F0563P	.. WASHER.....			
244	2643079-1	.. SHIM .032 THICK.....			
- 245	2643079-2	.. SHIM .063 THICK.....			
		—*—			
246	CM2692-36J1S	.. PLUG BUTTON.....			

NOTE 1—AIRPLANES NOT INCORPORATING SK208-90.

NOTE 2—AIRPLANES -0001 THRU -0216 AND -B0001 THRU -B0303 INCORPORATING SK208-90.

NOTE 3—AIRPLANES -0001 & ON AND -B0001 AND ON, AND AIRPLANES -0001 THRU -0552 AND -B0001 THRU -B5075 INCORPORATING CAB-32-02.

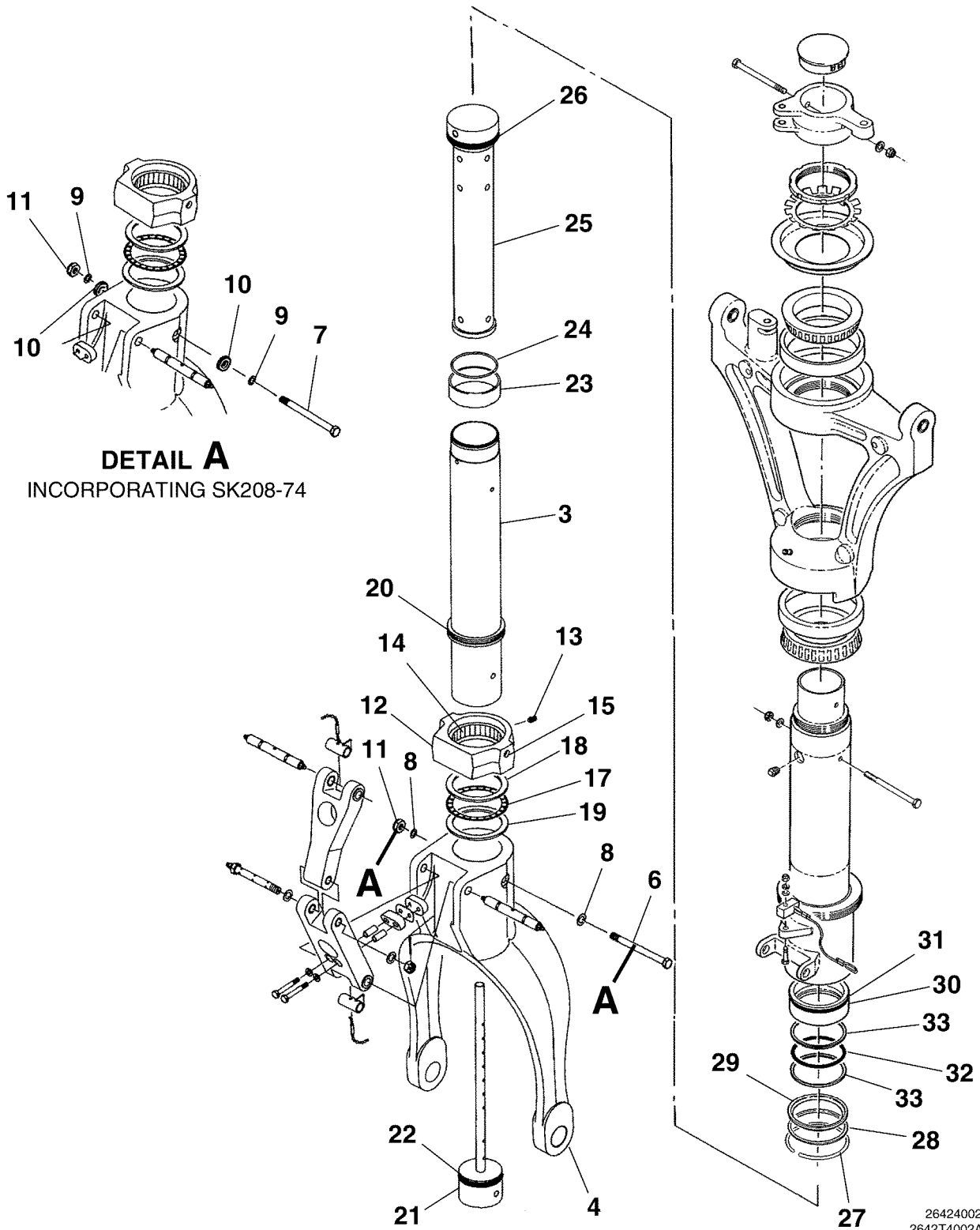
NOTE 4—AIRPLANES WITH SUPPORT ASSEMBLIES MODIFIED BY CAB-32-02 SHOULD REFER TO THE LATEST REVISION OF THE SERVICE BULLETIN FOR ORDERING SPARES AND LIFE LIMIT TRACKING INFORMATION. OPERATORS WILL NEED TO RECOMPLY WITH THE MODIFICATION STEPS IN CAB-32-02 BEFORE REINSTALLING SUPPORT ASSEMBLIES.

NOTE 5—2643103-200 TO BE INSTALLED ONLY ON UNITS NOT INCORPORATING SK208-90B AND CAB91-9.

- ITEM NOT ILLUSTRATED

CESSNA®
MODEL 208
 ILLUSTRATED PARTS CATALOG

A24905



DETAIL A
 INCORPORATING SK208-74

NOSE GEAR SHOCK STRUT ASSEMBLY
 FIGURE 02 (SHEET 1)

26424002
 2642T4002A
 A2642T4002B

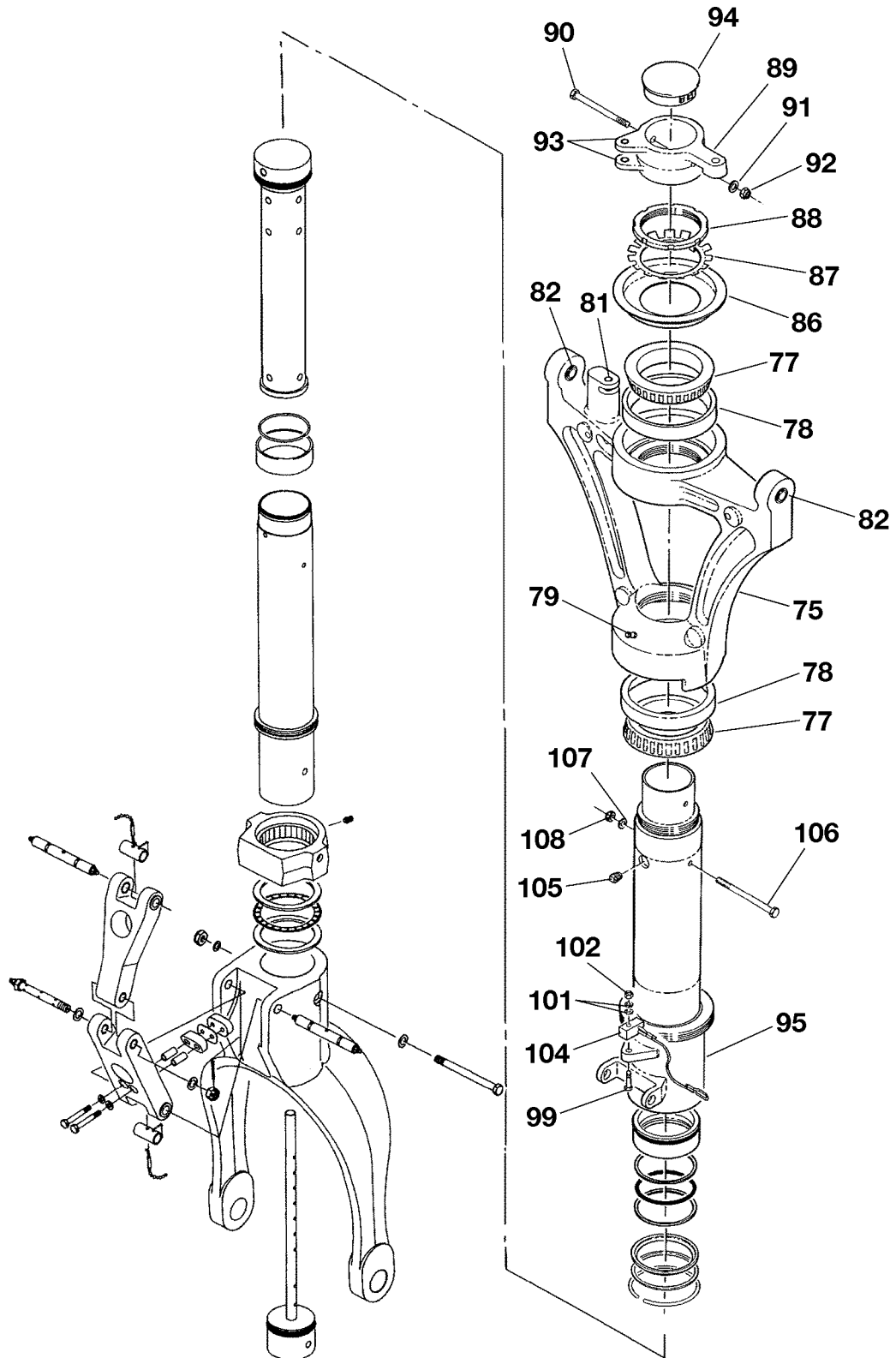
CESSNA®
MODEL 208
ILLUSTRATED PARTS CATALOG

FIG ITEM	PART NUMBER	NOMENCLATURE	UNITS PER ASSY		
			1	2	3
02		NOSE GEAR SHOCK STRUT ASSEMBLY			
-			0001	0140	RF
			B0001	B0123	
- 1		. SHOCK STRUT ASSY-NOSE GEAR FSO 2643100-200 REFER TO NOTE 1			RF
- 2		. SHOCK STRUT ASSY-NOSE GEAR TALL FORK FSO 2643100-201	0095	0140	RF
3	2643093-1	. . BARREL-NOSE GEAR INNER FSO 2643093-200 REFER TO NOTE 2			NP
- 3A	2643093-200	. . BARREL-NOSE GEAR INNER REFER TO NOTE 2			01
4	SK208-68	. . NOSE GEAR FORK STD REFER TO NOTE 2			01
- 5	SK208-67	. . NOSE GEAR FORK EXT REFER TO NOTE 2 AND NOTE 3	0095	0140	01
6	AN6-47A	. . BOLT REFER TO NOTE 4			01
7	AN6-52A	. . BOLT REFER TO NOTE 5			01
8	NAS1149F0663P	. . WASHER REFER TO NOTE 4			02
9	NAS1056C12-028	. . SPACER REFER TO NOTE 5			02
10	S1450-6-18-036	. . WASHER REFER TO NOTE 5			02
11	MS21044N6	. . NUT			01
12	2643046-1	. . BLOCK ASSY-NOSE GEAR SHOCK STRUT			01
13	AS15002-1-C	. . . LUBRICATION FITTING			01
14	NBH48120H	. . BEARING	V60380		01
15	NAS75-5-006	. . BUSHING			02
- 16	MS21209F5-15	. . . INSERT			02
17	S2013-4	. . BEARING			01
18	S2014-9	. . RACE			01
19	S2014-4	. . RACE			01
20	MS28775-236	. . O-RING			01
21	2643018-1	. . METERING PIN ASSY-NOSE GEAR			01
22	MS28775-229	. . O-RING			01
23	2643002-2	. . BEARING			01
24	2643028-1	. . LOCK RING			01
25	2643016-1	. . STRUT TUBE ASSY-NOSE GEAR			01
26	MS28775-233	. . O-RING			01
27	2643014-1	. . LOCK RING			01
28	2643013-1	. . RING PACK RETAINER			01
29	S2418-3	. . WIPER SEAL			01
30	2643012-1	. . RING-PACK SUPPORT			01
31	MS28775-236	. . O-RING			01
32	MS28775-337	. . O-RING			01
33	S1628-337	. . RING-BACK UP			02

NOTE 1—AIRPLANES -0001 THRU -0133 AND B0001 THRU B0098 INCORPORATING SK208-51.
NOTE 2—WHEN INITIALLY ORDERING A BARREL OR FORK, ORDER BOTH PARTS.
NOTE 3—USED WITH OVERSIZED MAIN GEAR WHEELS ONLY.
NOTE 4—AIRPLANES NOT INCORPORATING SK208-74.
NOTE 5—AIRPLANES INCORPORATING SK208-74.

CESSNA®
MODEL 208
ILLUSTRATED PARTS CATALOG

A24906



2642R4002A

NOSE GEAR SHOCK STRUT ASSEMBLY
FIGURE 02 (SHEET 2)

CESSNA®
MODEL 208
ILLUSTRATED PARTS CATALOG

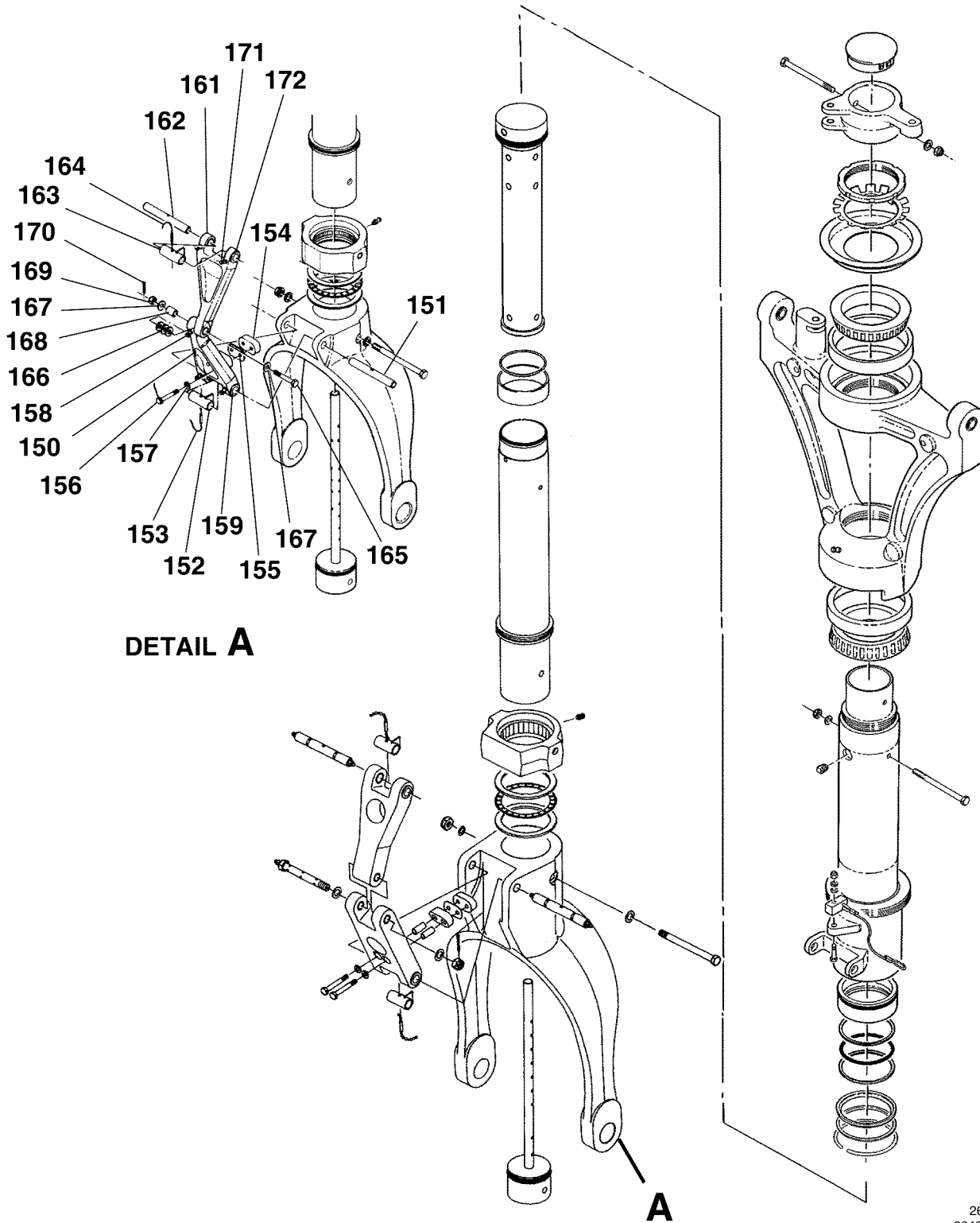
FIG ITEM	PART NUMBER	1 2 3 4 5 6 7	NOMENCLATURE	UNITS PER ASSY		
02						
75	2643044-1		.. TRUNNION ASSY-NOSE GEAR FSO 2643044-5	0001	0128	01
				B0001	B0073	
- 76	2643044-5		.. TRUNNION ASSY-NOSE GEAR	0129	0140	01
				B0074	B0123	
77	L217849		.. BEARING CONE 60038			02
78	L217813		.. BEARING CUP 60038			02
79	AS15002-1-C		.. LUBRICATION FITTING			02
- 80			.. DELETED-NOT USED			
81	NAS75-4-008		.. BUSHING			02
82	S1003-100B		.. BEARING	0001	0128	02
				B0001	B0073	
- 83	S1003-99B		.. BEARING	0001	0128	02
				B0001	B0073	
- 84	M81934/2-10C032		.. BEARING	0129	0140	02
				B0074	B0123	
- 85	S2614-8-1		.. BUSHING	0129	0140	02
				B0074	B0123	
86	2643027-7		.. STRUT SEAL-NOSE GEAR UPR			01
87	MS172218		.. WASHER-KEY			01
88	MS172253		.. NUT-SPANNER			01
89	2643053-3		.. STEERING RING ASSY-NOSE GEAR			01
			.. ATTACHING PARTS			
90	AN5-37A		.. BOLT			01
91	NAS1149F0563P		.. WASHER			01
92	MS21045L5		.. NUT			01
			.. *-			
93	NAS75-4-010		.. BUSHING			02
94	EP40		.. PLUG	V81904		01
95	2643027-1		.. BARREL ASSY-OUTER-NOSE GEAR			01 R
- 96			.. DELETED-NOT USED			R
- 97	2643032-1		.. BARREL-OUTER-NOSE GEAR			01
- 98			.. DELETED-NOT USED			
99	AN4-10A		.. BOLT REFER TO NOTE 1	0001	0127	01
				B0001	B0054	
- 100	AN4-13A		.. BOLT REFER TO NOTE 2	0128	0140	01
				B0055	B0123	
101	NAS1149F0463P		.. WASHER			02
102	MS21044N4		.. NUT REFER TO NOTE 1	0001	0127	01
				B0001	B0054	
- 103	MS21042L4		.. NUT REFER TO NOTE 2	0128	0140	01
				B0055	B0123	
104	2601375-1		.. INDICATOR ASSY REFER TO NOTE 1	0128	0140	01
				B0055	B0123	
105	MS20913-1		.. PLUG ALT FOR AS4863-01			01 R
- 105A	AS4863-01		.. PLUG ALT FOR MS20913-1			01 R
106	AN5-36		.. BOLT			01
107	NAS1149F0563P		.. WASHER			01
108	AN310-5		.. NUT			01
- 109	MS24665-134		.. COTTER PIN			01

NOTE 1—AIRPLANES NOT INCORPORATING SK208-48.

NOTE 2—AIRPLANES -0001 THRU -0127 AND -B0001 THRU -B0054 INCORPORATING SK208-48.

CESSNA®
MODEL 208
ILLUSTRATED PARTS CATALOG

A24907



NOSE GEAR SHOCK STRUT ASSEMBLY
FIGURE 02 (SHEET 3)

26424002
2642T4002A
A26424002

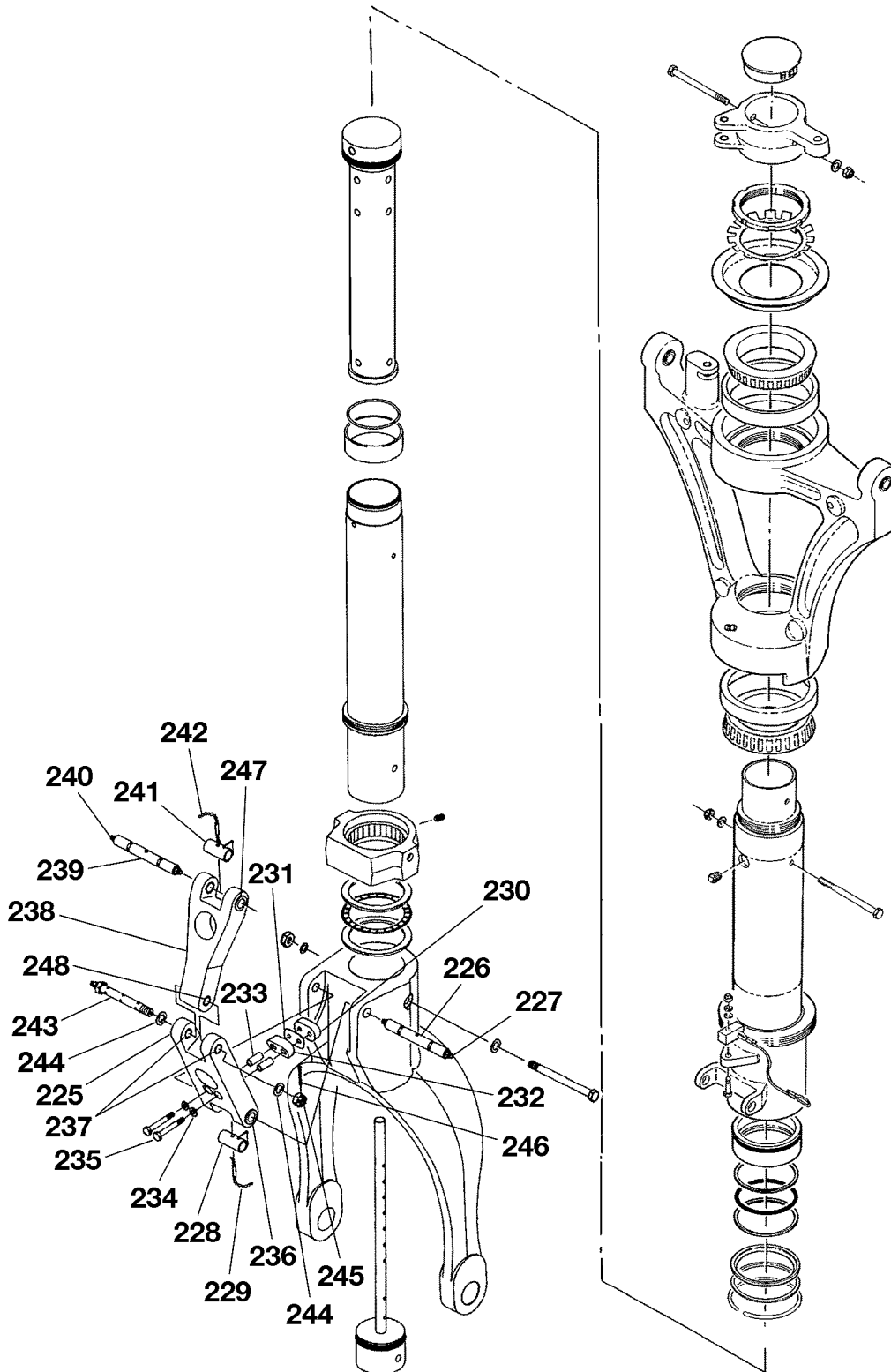
CESSNA®
MODEL 208
ILLUSTRATED PARTS CATALOG

FIG ITEM	PART NUMBER	NOMENCLATURE	UNITS PER ASSY		
			1	2	3
02					
150		.. TORQUE LINK ASSY-LWR NOSE GEAR FSO SK208-51 REFER TO NOTE 1 1..... ATTACHING PARTS	0001	0133	RF
			B0001	B0098	
151		.. PIN-TORQUE LINK ATTACH FSO SK208-51 REFER TO NOTE 1.....	0001	0133	RF
			B0001	B0098	
152		.. SPACER ASSY-TORQUE LINK FSO SK208-51 REFER TO NOTE 1.....	0001	0133	RF
			B0001	B0098	
153	NAS561P5-12	.. PIN REFER TO NOTE 1.....	0001	0133	01
			B0001	B0098	
- 153A	MS16562-42	.. PIN ALT FOR NAS561P5-12 REFER TO NOTE 1..... *—			01
154		.. BUMPER-TORQUE LINK FSO SK208-51 REFER TO NOTE 1.....	0001	0133	RF
			B0001	B0098	
155		.. SHIM-TORQUE LINK FSO SK208-51 REFER TO NOTE 1.....	0001	0133	RF
			B0001	B0098	
156	AN4H16A	.. BOLT REFER TO NOTE 1.....	0001	0133	02
			B0001	B0098	
157	NAS1149F0463P	.. WASHER REFER TO NOTE 1.....	0001	0133	02
			B0001	B0098	
158	AS15002-1-C	.. LUBRICATION FITTING REFER TO NOTE 1.....	0001	0133	03
			B0001	B0098	
159		.. BUSHING LOWER FSO SK208-51 REFER TO NOTE 1.....	0001	0133	RF
			B0001	B0098	
- 160		.. BUSHING UPPER FSO SK208-51 REFER TO NOTE 1.....	0001	0133	RF
			B0001	B0098	
161		.. TORQUE LINE ASSY-UPR NOSE GEAR FSO SK208-51 REFER TO NOTE 1 1..... ATTACHING PARTS	0001	0133	RF
			B0001	B0098	
162		.. PIN-TORQUE LINK ATTACH FSO SK208-51 REFER TO NOTE 1.....	0001	0133	RF
			B0001	B0098	
163		.. SPACER ASSY-TORQUE LINK FSO SK208-51 REFER TO NOTE 1.....	0001	0133	RF
			B0001	B0098	
164	NAS561P5-12	.. PIN REFER TO NOTE 1.....	0001	0133	01
			B0001	B0098	
- 164A	MS16562-42	.. PIN ALT FOR NAS561P5-12 REFER TO NOTE 1.....			01
165	AN175-16	.. BOLT REFER TO NOTE 1.....	0001	0133	01
			B0001	B0098	
166	5045018-1	.. WASHER REFER TO NOTE 1.....	0001	0133	02
			B0001	B0098	
167	NAS1149F0732P	.. WASHER REFER TO NOTE 1.....	0001	0133	AR
			B0001	B0098	
168		.. BUSHING FSO SK208-51 REFER TO NOTE 1.....	0001	0133	RF
			B0001	B0098	
169	AN310-5	.. NUT.....	0001	0133	01
			B0001	B0098	
170	MS24665-153	.. COTTER PIN REFER TO NOTE 1..... *—	0001	0133	01
			B0001	B0098	
171	AS15002-1-C	.. LUBRICATION FITTING REFER TO NOTE 1.....	0001	0133	02
			B0001	B0098	
172		.. BUSHING-UPPER FSO SK208-51 REFER TO NOTE 1.....	0001	0133	RF
			B0001	B0098	
- 173	NAS75-5-020	.. BUSHING-LOWER REFER TO NOTE 1.....	0001	0133	01
			B0001	B0098	

NOTE 1—AIRPLANES NOT INCORPORATING SK208-51.

CESSNA®
MODEL 208
ILLUSTRATED PARTS CATALOG

A24908



2642R4002

NOSE GEAR SHOCK STRUT ASSEMBLY
FIGURE 02 (SHEET 4)

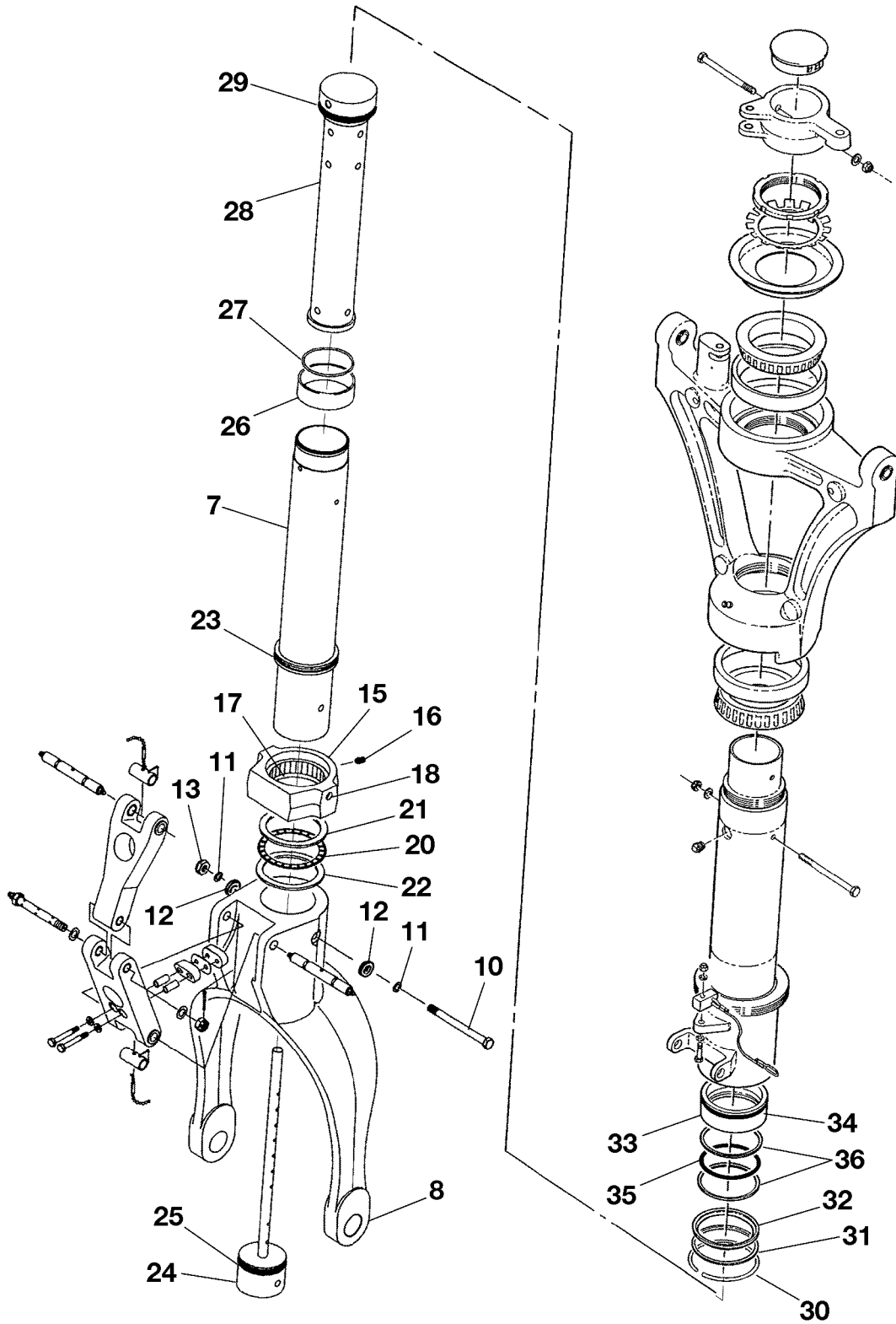
CESSNA®
MODEL 208
ILLUSTRATED PARTS CATALOG

FIG ITEM	PART NUMBER	NOMENCLATURE	UNITS PER ASSY		
			1	2	3
02					
225	2643084-2	. . . TORQUE LINK ASSY-LOWER NOSE GEAR REFER TO NOTE 1	0134	0140	01
		ATTACHING PARTS	B0099	B0123	
226	2643091-1	. . . PIN ASSY-TORQUE LINK ATTACH REFER TO NOTE 1	0134	0140	01
			B0099	B0123	
227	MS15002-1	. . . FITTING-PIN ASSY			02
228	2643089-1	. . . SPACER ASSY-TORQUE LINK REFER TO NOTE 1	0134	0140	01
			B0099	B0123	
229	NAS561P5-12	. . . PIN REFER TO NOTE 1	0134	0140	01
			B0099	B0123	
- 229A	MS16562-42	. . . PIN ALT FOR NAS561P5-12			01
		—*—			
230	2643086-1	. . . BUMPER-TORQUE LINK REFER TO NOTE 1	0134	0140	01
			B0099	B0123	
231	2643087-1	. . . SHIM-TORQUE LINK REFER TO NOTE 1	0134	0140	AR
			B0099	B0123	
232	2643088-1	. . . ADAPTER-TORQUE LINK BUMPER REFER TO NOTE 1	0134	0140	01
			B0099	B0123	
233	NAS43HT4-57	. . . SPACER REFER TO NOTE 1	0134	0140	02
			B0099	B0123	
234	NAS1149F0463P	. . . WASHER REFER TO NOTE 1	0134	0140	02
			B0099	B0123	
235	AN4H21A	. . . BOLT REFER TO NOTE 1	0134	0140	02
			B0099	B0123	
236	2643085-200	. . . BUSHING-LOWER REFER TO NOTE 1	0134	0140	02
			B0099	B0123	
237	NAS76A7-022	. . . BUSHING-UPPER REFER TO NOTE 1	0134	0140	02
			B0099	B0123	
238	2643084-1	. . . TORQUE LINK ASSY-UPPER NOSE GEAR REFER TO NOTE 1	0134	0140	01
			B0099	B0123	
		ATTACHING PARTS			
239	2643091-1	. . . PIN ASSY-TORQUE LINK ATTACH REFER TO NOTE 1	0134	0140	01
			B0099	B0123	
240	MS15002-1	. . . FITTING-PIN ASSY			02
241	2643089-1	. . . SPACER ASSY-TORQUE LINK REFER TO NOTE 1	0134	0140	01
			B0099	B0123	
242	NAS561P5-12	. . . PIN REFER TO NOTE 1	0134	0140	01
			B0099	B0123	
- 242A	MS16562-42	. . . PIN ALT FOR NAS561P5-12			01
243	2643092-1	. . . BOLT ASSY-TORQUE LINK ATTACH REFER TO NOTE 1	0134	0140	01
			B0099	B0123	
244	5045018-1	. . . WASHER REFER TO NOTE 1	0134	0140	02
			B0099	B0123	
245	AN310-7	. . . NUT REFER TO NOTE 1	0134	0140	01
			B0099	B0123	
246	MS24665-302	. . . COTTER PIN REFER TO NOTE 1	0134	0140	01
			B0099	B0123	
		—*—			
247	2643085-200	. . . BUSHING-UPPER REFER TO NOTE 1	0134	0140	02
			B0099	B0123	
248	NAS76A7-115	. . . BUSHING-LOWER REFER TO NOTE 1	0134	0140	01
			B0099	B0123	

NOTE 1—AIRPLANES -0001 THRU -0133 AND -B0001 THRU -B0098 INCORPORATING SK208-51.

CESSNA®
MODEL 208
ILLUSTRATED PARTS CATALOG

A24909



NOSE GEAR SHOCK STRUT ASSEMBLY
FIGURE 03 (SHEET 1)

26424002
2642T4002B

**CESSNA®
MODEL 208
ILLUSTRATED PARTS CATALOG**

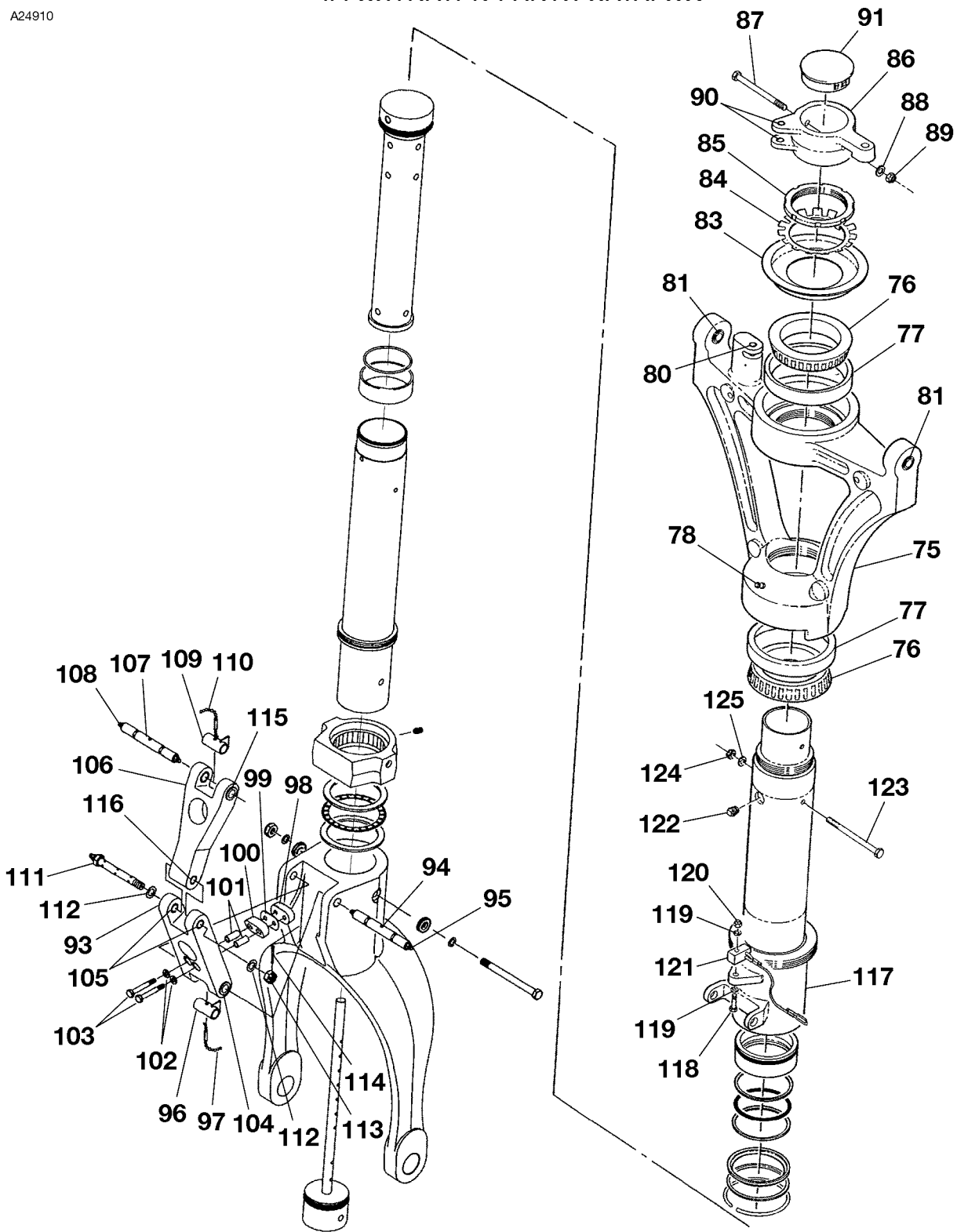
FIG ITEM	PART NUMBER	NOMENCLATURE	UNITS PER ASSY		
			1	2	3
03		NOSE GEAR SHOCK STRUT ASSEMBLY	0141	& ON	RF
-			B0124	& ON	
- 1	2643095-202	NOSE GEAR STRUT ASSY FSO 2643100-200	0141	0199	NP
			B0124	B0247	
- 2	2643095-204	NOSE GEAR STRUT ASSY FSO 2643100-200	0200	0217	NP
			B0248	B0306	
- 3	2643100-200	NOSE GEAR STRUT ASSY	0218	0393	01
			B0307	B1139	
- 3A	2643100-205	NOSE GEAR STRUT ASSY	0394	& ON	01
			B1140	& ON	
- 4	2643095-203	NOSE GEAR STRUT ASSY-TALL FORK FSO 2643100-201	0141	0199	NP
			B0124	B0247	
- 5	2643095-205	NOSE GEAR STRUT ASSY-TALL FORK FSO 2643100-201	0200	0217	NP
			B0248	B0306	
- 6	2643100-201	NOSE GEAR STRUT ASSY-TALL FORK	0218	0393	01
			B0307	B1139	
- 6A	2643100-206	NOSE GEAR STRUT ASSY-TALL FORK	0394	& ON	01
			B1140	& ON	
7	2643093-1	BARREL ASSY-NOSE GEAR INNER FSO 2643093-200			NP
- 7A	2643093-200	BARREL ASSY-NOSE GEAR INNER			01
8	SK208-68	NOSE GEAR FORK REPLACES STD REFER TO NOTE 1			01
- 9	SK208-67	NOSE GEAR FORK-TALLER THAN STD			01
10	AN6-52A	BOLT			01
11	NAS1056C12-028	SPACER			02
12	S1450-6-18-036	WASHER			02
13	MS21044N6	NUT	0141	0199	01
			B0124	B0247	
- 14	MS21083N6	NUT	0200	& ON	01
			B0248	& ON	
15	2643046-1	BLOCK ASSY-NOSE GEAR SHOCK STRUT			01
16	AS15002-1-C	LUBRICATION FITTING			01
17	NBH48120H	BEARING			01
18	NAS75-5-006	BUSHING			02
- 19	MS21209F5-15	INSERT			02
20	S2013-4	BEARING			01
21	S2014-9	RACE			01
22	S2014-4	RACE			01
23	MS28775-236	O-RING			01
24	2643018-1	METERING PIN ASSY-NOSE GEAR FSO 2643018-2	0141	0555	NP R
			B0124	B5087	
			B5143	& ON	
- 24A	DDA06621-1	METERING PIN ASSY-NOSE GEAR REF 2643018 REFER TO NOTE 2	0556	0563	01
			B5088	B5144	
- 24B	2643018-2	METERING PIN ASSY-NOSE GEAR	0564	& ON	01
			B5145	& ON	
25	MS28775-229	O-RING			01
26	2643002-2	BEARING			01
27	2643028-1	LOCK RING			01
28	2643016-1	STRUT TUBE ASSY-NOSE GEAR FSO 2643016-2	0141	0556	NP
			B0124	B5097	
- 28A	DDA06600-1	STRUT TUBE ASSY-NOSEGEAR REF 2643016 REFER TO NOTE 2	0557	0563	01
			B5098	B5144	
- 28B	2643016-2	STRUT TUBE ASSY-NOSE GEAR	0564	& ON	01
			B5145	& ON	
29	MS28775-233	O-RING			01
30	2643014-1	LOCK RING			01
31	2643013-1	RING-PACK RETAINER			01
32	S2418-3	WIPER SEAL			01
33	2643012-1	RING-PACK SUPPORT			01
34	MS28775-236	O-RING			01
35	MS28775-337	O-RING			01
36	S1628-337	RING-BACK UP			02

NOTE 1—WHEN INITIALLY ORDERING A BARREL OR FORK, ORDER BOTH PARTS.

NOTE 2—WHEN ORDERING DDA PART NUMBERS, ALSO PROVIDE REFERENCE DRAWING NUMBER SHOWN IN NOMENCLATURE COLUMN.

CESSNA®
MODEL 208
 ILLUSTRATED PARTS CATALOG

A24910



NOSE GEAR SHOCK STRUT ASSEMBLY
 FIGURE 03 (SHEET 2)

26424002
 2642C4002B

CESSNA®
MODEL 208
ILLUSTRATED PARTS CATALOG

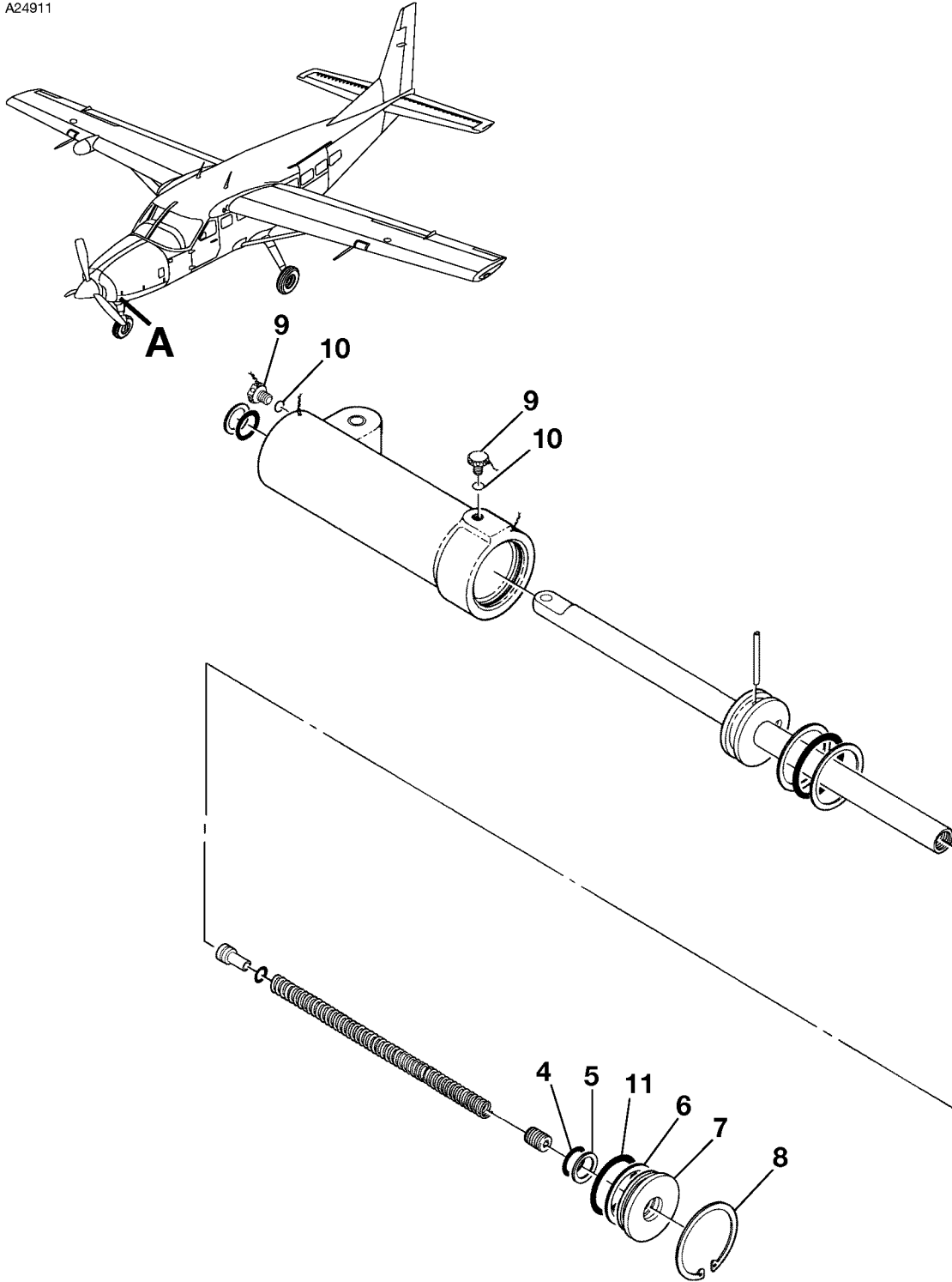
FIG ITEM	PART NUMBER	NOMENCLATURE	1 2 3 4 5 6 7			UNITS PER ASSY
03						
75	2643044-5	TRUNNION ASSY-NOSE GEAR				01
76	L217849	BEARING CONE			V60038	02
77	L217813	BEARING CUP			V60038	02
78	AS15002-1-C	LUBRICATION FITTING				02
- 79		DELETED-NOT USED				
80	NAS75-4-008	BUSHING				02
81	M81934/2-10C032	BEARING				02
- 82	S2614-8-1	BUSHING				02
83	2643027-7	UPR STRUT SEAL-NOSE GEAR				01
84	MS172218	WASHER-KEY				01
85	2643096-1	NUT-SPANNER				01
86	2643053-3	STEERING RING ASSY-NOSE GEAR				01
		ATTACHING PARTS				
87	AN5-37A	BOLT				01
88	NAS1149F0563P	WASHER				01
89	MS21045L5	NUT				01
		—*—				
90	NAS75-4-010	BUSHING				02
91	EP40	PLUG		V81904	0141 0217	01
					B0124 B0306	
- 92	2643101-1	CAP PLUG			0218 & ON	01
					B0307 & ON	
93	2643084-2	TORQUE LINK ASSY-LWR NOSE GEAR				01
		ATTACHING PARTS				
94	2643091-1	PIN ASSY-TORQUE LINK ATTACH				01
95	MS15002-1	FITTING-PIN ASSY				02
96	2643089-1	SPACER ASSY-TORQUE LINK				01
97	NAS561P5-12	PIN				01
- 97A	MS16562-42	PIN ALT FOR NAS561P5-12				01
		—*—				
98	2643086-1	BUMPER-TORQUE LINK				01
99	2643087-1	SHIM-TORQUE LINK				AR
100	2643088-1	ADAPTER-TORQUE LINK BUMPER				01
101	NAS43HT4-57	SPACER				02
102	NAS1149F0463P	WASHER				02
103	AN4H21A	BOLT				02
104	2643085-200	BUSHING-LOWER				02
105	NAS76A7-022	BUSHING-UPPER				02
106	2643084-1	TORQUE LINK ASSY-UPR NOSE GEAR				01
		ATTACHING PARTS				
107	2643091-1	PIN ASSY-TORQUE LINK ATTACH				01
108	MS15002-1	FITTING-PIN ASSY				02
109	2643089-1	SPACER ASSY-TORQUE LINK				01
110	NAS561P5-12	PIN				01
- 110A	MS16562-42	PIN ALT FOR NAS561P5-12				01
111	2643092-1	BOLT ASSY-TORQUE LINK ATTACH				01
112	NAS1149F0732P	WASHER				02
113	AN310-7	NUT				01
114	MS24665-302	COTTER PIN				01
		—*—				
115	2643085-200	BUSHING-UPPER				02
116	NAS76A7-115	BUSHING-LOWER				01
117	2643027-1	BARREL ASSY-OUTER-NOSE GEAR			0141 0217	01
					B0124 B0306	
- 117A	2643027-10	BARREL ASSY-OUTER-NOSE GEAR FSO 2643032-1			0218 0600	01
					B0307 B5400	
- 117B	2643032-1	BARREL ASSY-OUTER-NOSE GEAR FOR SPARES				01
- 117C	2643032-3	BARREL ASSY-OUTER-NOSE GEAR			0601 & ON	01
					B5401 & ON	
118	AN4-13A	BOLT				01
119	NAS1149F0463P	WASHER				02
120	MS21042L4	NUT				01
121	2601375-1	INDICATOR ASSY-NOSE GEAR SHOCK STRUT			0141 0403	01
					B0124 B1223	
- 121A	2601375-4	INDICATOR ASSY-NOSE GEAR SHOCK STRUT REFER TO NOTE 1			0404 & ON	01
					B1224 & ON	
122	AN933D1	PLUG				01
123	AN5-36	BOLT				01
124	NAS1149F0563P	WASHER				01
125	AN310-5	NUT				01
- 126	MS24665-134	COTTER PIN				01

NOTE 1—AIRPLANES -0404 AND ON AND -B1224 AND ON, AND AIRPLANES -0001 THRU -0403 AND -B0001 THRU -B1223 INCORPORATING CAB07-1.

- ITEM NOT ILLUSTRATED

CESSNA®
MODEL 208
ILLUSTRATED PARTS CATALOG

A24911



DETAIL A

NOSE GEAR SHIMMY DAMPENER ASSEMBLY
FIGURE 01 (SHEET 1)

2610T7005
A26423001A

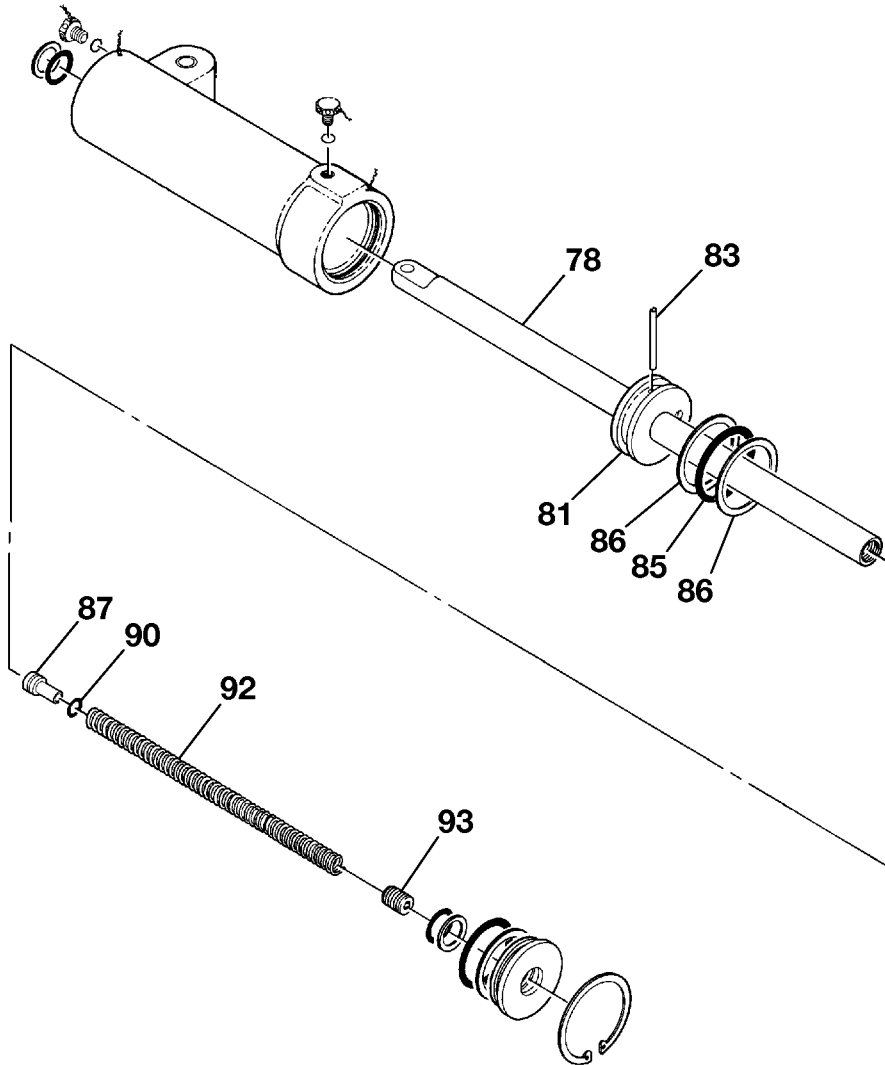
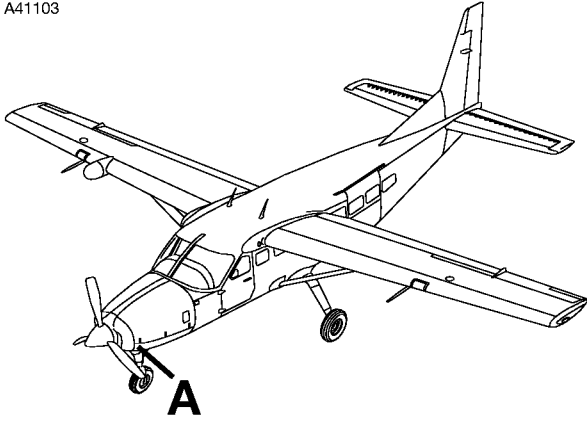
CESSNA®
MODEL 208
ILLUSTRATED PARTS CATALOG

FIG ITEM	PART NUMBER	NOMENCLATURE	UNITS PER ASSY		
			1	2	3
01		NOSE GEAR SHIMMY DAMPENER ASSEMBLY	0001	0393	RF
-			B0001	B1139	
- 1	2643007-1	. SHIMMY DAMPENER ASSY-NOSE GEAR FSO 2643090-3	0001	0127	NP
			B0001	B0069	
- 1A	2643007-2	. SHIMMY DAMPENER ASSY-NOSE GEAR FSO 2643090-3	0128	0130	NP
			B0070	B0086	
- 1B	2643090-1	. SHIMMY DAMPENER ASSY-NOSE GEAR FSO 2643090-3	0131	0246	NP
			B0087	B0501	
- 1C	2643090-2	. SHIMMY DAMPENER ASSY-NOSE GEAR FSO 2643090-3	0247	0295	NP
			B0502	B0723	
- 1D	2643090-3	. SHIMMY DAMPENER ASSY-NOSE GEAR REFER TO NOTE 1	0296	0393	01
			B0724	B1139	
- 2	2643009-1	. . BARREL-SHIMMY DAMPENER	0001	0130	01 R
			B0001	B0086	
- 2A	2643009-3	. . BARREL-SHIMMY DAMPENER FSO 2643009-6	0131	0246	NP
			B0087	B0501	
- 2B	2643009-5	. . BARREL-SHIMMY DAMPENER FSO 2643009-6	0247	0295	NP
			B0502	B0723	
- 2C	2643009-6	. . BARREL-SHIMMY DAMPENER	0296	0393	01
			B0724	B1139	
- 3	NAS75-4-026	. . BUSHING	0001	0295	01 R
			B0001	B0723	
- 3A	NAS75-4-024	. . BUSHING	0296	0393	01
			B0724	B1139	
4	MS28775-112	. . O-RING	0001	0295	02
			B0001	B0723	
- 4A	S3457-2	. . O-RING	0296	0393	02
			B0724	B1139	
5	S1628-112	. . RING-BACK UP			02
6	S1628-027	. . RING-BACK UP			01
7	9880005-1	. . END GLAND-SHIMMY DAMPENER	0001	0130	01
			B0001	B0086	
- 7A	9880005-2	. . END GLAND-SHIMMY DAMPENER	0131	0295	01
			B0087	B0723	
- 7B	9880005-3	. . END GLAND-SHIMMY DAMPENER	0296	0393	01
			B0724	B1139	
8	MS16625-1156	. . RING-SNAP			01
9	AS5169D02L	. . PLUG-BLEEDER			02
10	MS28778-2	. . O-RING			02
11	MS28775-027	. . O-RING			01

NOTE 1—AIRPLANES -0296 THRU -0393 AND -B0724 THRU -B1139 AND AIRPLANES -0001 THRU -0295 AND -B0001 THRU -B0723 INCORPORATING CAB99-3.

CESSNA®
MODEL 208
ILLUSTRATED PARTS CATALOG

A41103



DETAIL A

NOSE GEAR SHIMMY DAMPENER ASSEMBLY
FIGURE 01 (SHEET 2)

2610T7005
A26423001A

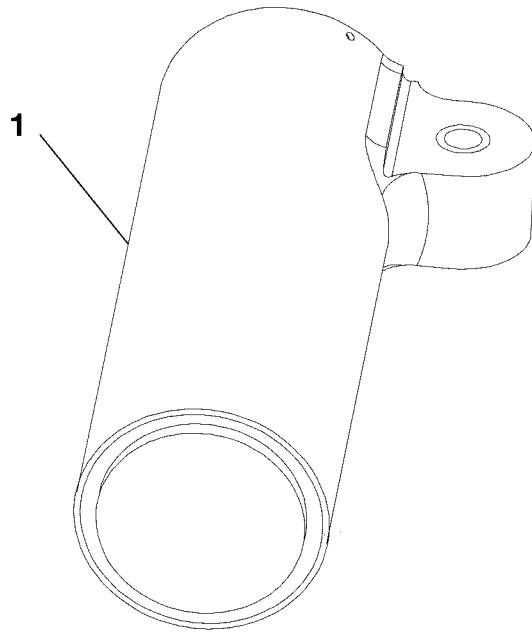
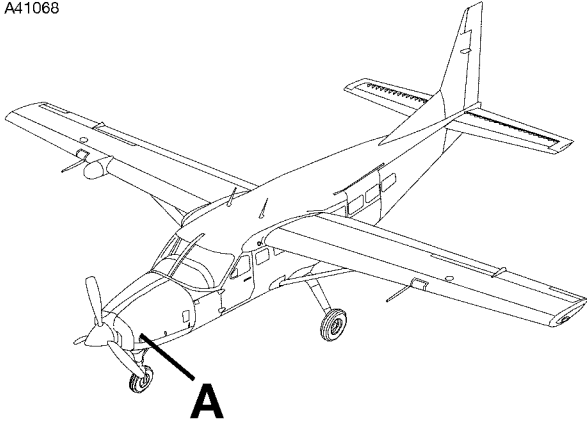
CESSNA®
MODEL 208
 ILLUSTRATED PARTS CATALOG

FIG ITEM	PART NUMBER	1 2 3 4 5 6 7	NOMENCLATURE	UNITS PER ASSY		
01						
- 75	2643008-5	. . .	ROD ASSY-SHIMMY DAMPENER	0001	0130	01
				B0001	B0086	
- 76	2643008-9	. . .	ROD ASSY-SHIMMY DAMPENER	0131	0295	01
				B0087	B0723	
- 77	2643008-14	. . .	ROD ASSY-SHIMMY DAMPENER	0296	0393	01
				B0724	B1139	
78	2643008-2	. . .	ROD-SHIMMY DAMPENER	0001	0130	01
				B0001	B0086	
- 79	2643008-10	. . .	ROD-SHIMMY DAMPENER	0131	0295	01
				B0087	B0723	
- 80	2643008-12	. . .	ROD-SHIMMY DAMPENER	0296	0393	01
				B0724	B1139	
81	9880006-2	. . .	PISTON-SHIMMY DAMPENER	0001	0130	01
				B0001	B0086	
- 82	9880006-3	. . .	PISTON-SHIMMY DAMPENER	0131	0343	01
				B0087	B1139	
83	NAS561P4-18	. . .	PIN	0001	0130	01
				B0001	B0086	
- 84	NAS561P5-18	. . .	PIN	0131	0393	01
				B0087	B1139	
85	MS28775-217	. . .	O-RING			01
86	S1628-217	. . .	RING-BACK UP			02
87	2643008-8	. . .	PISTON-SHIMMY DAMPENER ROD	0001	0130	01
				B0001	B0086	
- 88	2643008-11	. . .	PISTON-SHIMMY DAMPENER ROD	0131	0295	01
				B0087	B0723	
- 89	2643008-13	. . .	PISTON-SHIMMY DAMPENER ROD	0296	0393	01
				B0724	B1139	
90	MS28775-008	. . .	O-RING	0001	0295	01
				B0001	B0723	
- 91	S3457-1	. . .	O-RING	0296	0393	01
				B0724	B1139	
92	2643008-6	. . .	SPRING-SHIMMY DAMPENER ROD			01
93	2643008-7	. . .	SET SCREW			01

- ITEM NOT ILLUSTRATED

CESSNA®
MODEL 208
ILLUSTRATED PARTS CATALOG

A41068



DETAIL A

NOSE GEAR SHIMMY DAMPENER ASSEMBLY
FIGURE 02 (SHEET 1)

2610T7005
A2642T1016

CESSNA®
MODEL 208
 ILLUSTRATED PARTS CATALOG

FIG ITEM	PART NUMBER	NOMENCLATURE	UNITS PER ASSY		
			1	2	3
02					
-		NOSE GEAR SHIMMY DAMPENER ASSEMBLY			
1	SE-1070-4	. DAMPER ASSEMBLY FSO SE-1070-6 V76005	0394	& ON	RF
			B1140	& ON	
			0394	0396	NP R
			B1140	B1172	
- 1A	SE-1070-6	. DAMPER ASSEMBLY V76005	0397	& ON	01 R
			B1173	& ON	

- ITEM NOT ILLUSTRATED

CESSNA®
MODEL 208
ILLUSTRATED PARTS CATALOG

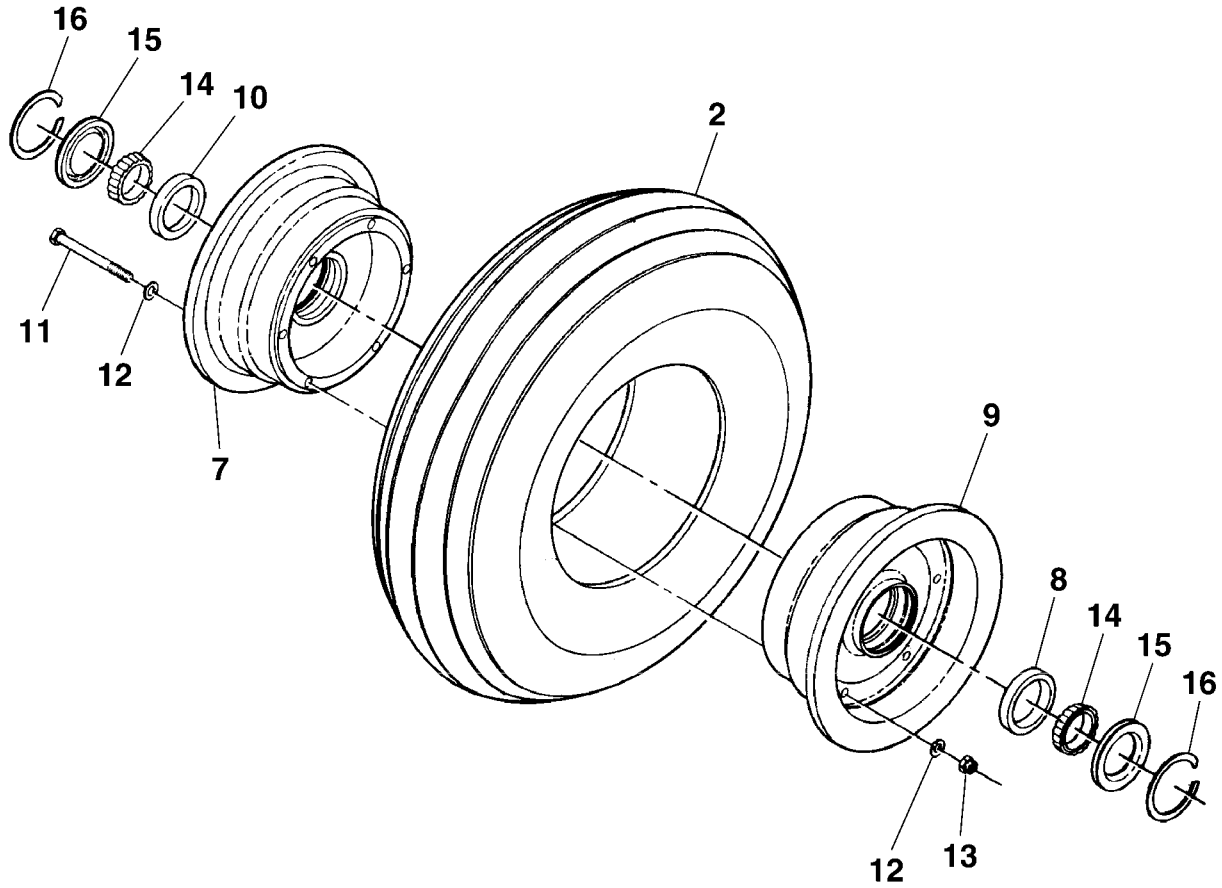
FIG ITEM	PART NUMBER	NOMENCLATURE	UNITS PER ASSY		
			1	2	3
01		WHEEL AND TIRE ASSEMBLY - MAIN GEAR			RF
-					
- 1	C163019-0213	. WHEEL & TIRE ASSY-MAIN GEAR 6.50 X 10 8 PLY	0001	0395	01
- 1A	C163019-0214	. WHEEL & TIRE ASSY-MAIN GEAR 8.50 X 10 8 PLY	0001	& ON	01
			B0001	& ON	
- 1B	C163019-0215	. WHEEL & TIRE ASSY-MAIN GEAR 29 X 11.0 10 PLY	0140	& ON	01 R
			B0214	& ON	
2	C262003-0210	. . TIRE-MAIN GEAR 6.50 X 10 8 PLY ALT FOR 076-345-0	0001	0395	01 R
- 2A	076-345-0	. . TIRE-MAIN GEAR 6.50 X 10 8 PLY ALT FOR C262003-0210	V0A1K8	0001	0395 01 R
- 3	C262003-0216	. . TIRE-MAIN GEAR 8.50 X 10 8 PLY FSO 025-349-0	0001	& ON	NP
			B0001	& ON	
- 3A	021-349-0	. . TIRE-MAIN GEAR 8.50 X 10 8 PLY ALT FOR C262003-0216	V0A1K8	0001	& ON 01
			B0001	& ON	
- 3B	072-376-0	. . TIRE-MAIN GEAR 8.50 X 10 8 PLY ALT FOR C262003-0216	V0A1K8	0001	& ON 01
			B0001	& ON	
- 3C	025-349-0	. . TIRE-MAIN GEAR 8.50 X 10 8 PLY ALT FOR C262003-0216	V0A1K8	0001	& ON 01 R
			B0001	& ON	
- 4	C262003-0217	. . TIRE-MAIN GEAR 29 X 11.0-10 10 PLY REFER TO NOTE 1	0140	& ON	01 R
			B0214	& ON	
- 4A	076-446-1	. . TIRE-MAIN GEAR 29 X 11.0-10 10 PLY ALT FOR C262003-0217	V0A1K8	0140	& ON 01
			B0214	& ON	
- 4B	077-446-1	. . TIRE-MAIN GEAR 29 X 11.0-10 10 PLY ALT FOR C262003-0217	V0A1K8	0140	& ON 01
			B0214	& ON	
- 4C	078-446-1	. . TIRE-MAIN GEAR 29 X 11.0-10 10 PLY ALT FOR C262003-0217	V0A1K8	0140	& ON 01
			B0214	& ON	
5	C262023-0105	. . TUBE-MAIN GEAR 6.50 X 10 ALT FOR C262023-0110 REFER TO NOTE 2	0001	0395	01 R
- 6	C262023-0107	. . TUBE-MAIN GEAR 8.50 X 10	0001	& ON	01 R
			B0001	& ON	
- 7	C262023-0108	. . TUBE-MAIN GEAR 29 X 11.0-1 ALT FOR C262023-0110 REFER TO NOTE 1 AND NOTE 2	0140	& ON	01 R
			B0214	& ON	
- 8	C262023-0109	. . TUBE-MAIN GEAR 8.90 X 12.50 OPTIONAL ALT FOR C262023-0110 REFER TO NOTE 1 AND NOTE 2	0140	& ON	01 R
			B0214	& ON	
- 8A	C262023-0110	. . TUBE-MAIN GEAR 8.90 X 12.50 VENDOR P/N 302-129-403 FOR SPARES REFER TO NOTE 2	0001	& ON	01 R
			B0214	& ON	
- 9	40-179	. . WHEEL ASSY-MAIN GEAR	V33269		01
10	161-12800	. . . WHEEL HALF ASSY-INNER	V33269		01
11	162-11800	. . . WHEEL HALF ASSY-OUTER			01
		ATTACHING PARTS			
12	103-22300	. . . BOLT	V33269		09
13	095-10500	. . . WASHER	V33269		09
14	094-10400	. . . NUT ALT MS21044-N5			09
		—*—			
15	214-01300	. . . CUP-BEARING	V33269		01
16	067-06300	. . . SPACER-MAIN GEAR WHEEL			01
17	214-01400	. . . CONE-BEARING	V33269		02
18	067-06700	. . . SPACER			01
19	154-03000	. . . GREASE SEAL-MOLDED			02
20	155-00100	. . . RING-SNAP	V33269		02
21	164-22201	. . . BRAKE DISC	V33269		01

NOTE 1—PERMISSIBLE TO USE EITHER THE C262023-0108 OR C262023-0109 TUBES IN THE C262003-0217 TIRE-MAIN GEAR. R

NOTE 2—THE 8.90 X 12.50 SIZED C262023-0110 TUBE IS A PERMISSIBLE ALTERNATE FOR THE C262023-0105, C262023-0108, AND C262023-0109 REGARDLESS OF THE ORIGINAL TUBE SIZE. R

CESSNA®
MODEL 208
ILLUSTRATED PARTS CATALOG

A24913



2642R4003

WHEEL AND TIRE ASSEMBLY - NOSE GEAR
FIGURE 02 (SHEET 1)

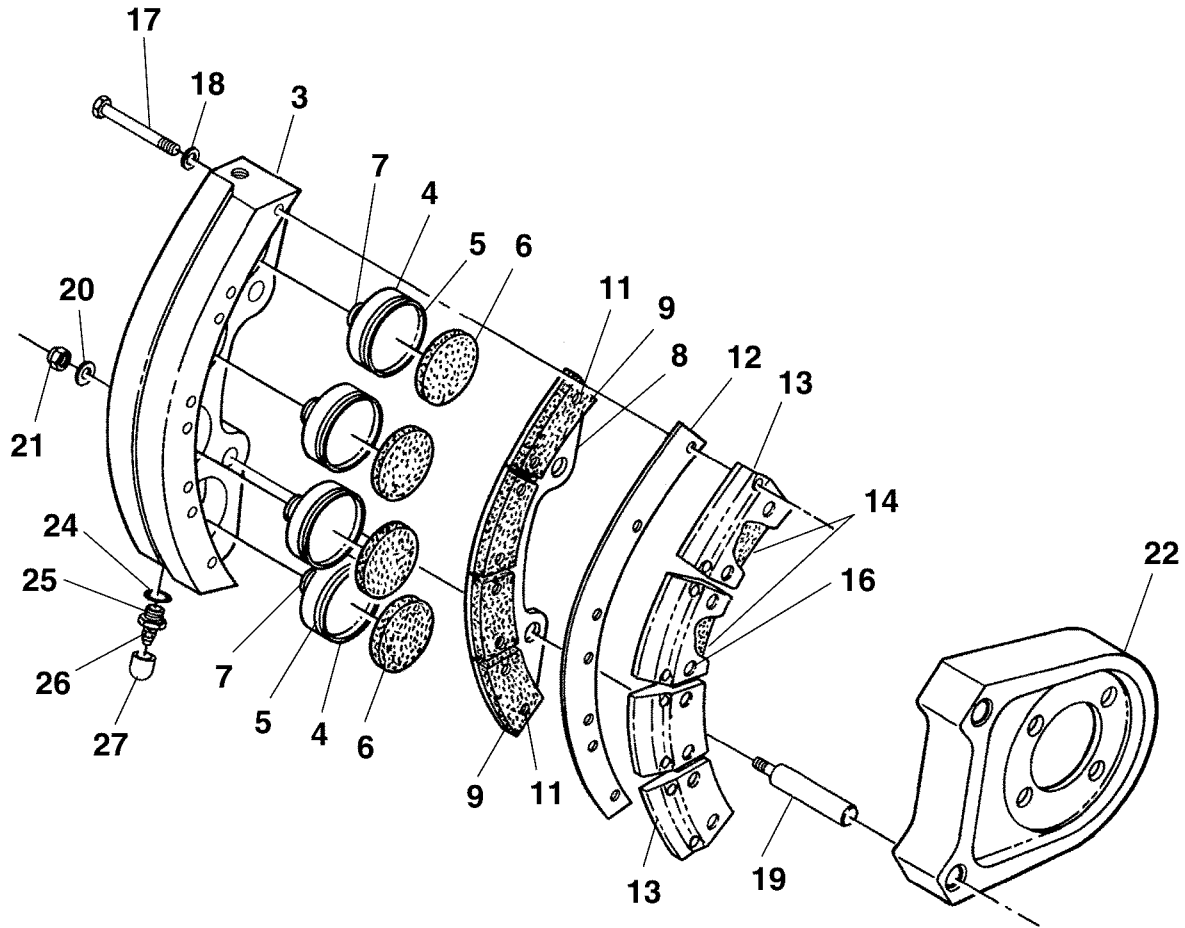
CESSNA®
MODEL 208
ILLUSTRATED PARTS CATALOG

FIG ITEM	PART NUMBER	NOMENCLATURE	UNITS PER ASSY		
			1	2	3
02					
-		WHEEL AND TIRE ASSEMBLY - NOSE GEAR			RF
- 1	C163019-0103	. TIRE ASSY-NOSE LANDING GEAR 6.50 X 8 WITH 8 PLY TIRE	0001	0384	01
- 1A	C163019-0104	. TIRE ASSY-NOSE LANDING GEAR 22 X 8.00-8 WITH 6 PLY TIRE	0001	& ON	01
			B0001	& ON	
2	C262003-0215	. . TIRE-NOSE GEAR 6.50 X 8 8 PLY ALT FOR 025-338-0 AND 658C81-3 REF D12345-001	0001	0384	01 R
- 2A	025-338-0	. . TIRE-NOSE GEAR 6.50 X 8 8 PLY ALT FOR C262003-0215	0001	0384	01 R
- 3	C262008-0101	. . TIRE-NOSE GEAR 22 X 8.00-8 6 PLY RATED ALTERNATE FOR 024-560-0 REF 5907-995-00	0001	& ON	01 R
- 3A	024-560-0	. . TIRE-NOSE GEAR ALT FOR C262008-0101	0001	& ON	01 R
			B0001	& ON	
- 4	C262023-0106	. . TUBE-NOSE GEAR 6.50 X 8	0001	0384	01 R
- 4A	C262030-0101	. . TUBE-NOSE GEAR 22 X 8.00-8 ALT FOR 302-247-400	0001	& ON	01 R
			B0001	& ON	
- 4B	302-247-400	. . TUBE-NOSE GEAR ALT FOR C262030-0101	0001	& ON	01 R
			B0001	& ON	
- 6	C163001-0901	. . WHEEL ASSY-NOSE GEAR ALT FOR 40-177A	0001	& ON	01 R
			B0001	& ON	
- 6A	40-177A	. . WHEEL ASSY-NOSE GEAR ALT FOR C163001-0901 V33269	0001	& ON	01 R
			B0001	& ON	
7	161-11700	. . . INNER WHEEL HALF ASSY			01
8	13836	. . . CUP-BEARING V33269			01
9	162-10700	. . . OUTER WHEEL HALF ASSY			01
10	13836	. . . CUP-BEARING V33269			01
11	103-20400	. . . BOLT V33269			06
12	095-10500	. . . WASHER			12
13	094-10400	. . . NUT ALT MS21044-N5 V33269			06
14	214-00200	. . . CONE-BEARING			02
15	154-03000	. . . MOLD-SEAL			02
16	155-00100	. . . SNAP RING V33269			02

- ITEM NOT ILLUSTRATED

CESSNA®
MODEL 208
ILLUSTRATED PARTS CATALOG

A24914



26412005

MAIN WHEEL BRAKE ASSEMBLY
FIGURE 03 (SHEET 1)

CESSNA®
MODEL 208
ILLUSTRATED PARTS CATALOG

FIG ITEM	PART NUMBER	NOMENCLATURE	UNITS PER ASSY		
			1	2	3
03		MAIN WHEEL BRAKE ASSEMBLY			RF
-					
- 1	C163030-1001	. BRAKE ASSY-MAIN WHEEL FSO 030-18200 REFER TO NOTE 1	0001	0115	NP
- 2	030-18200	. BRAKE ASSY-MAIN WHEEL ALT FOR 30-182 REFER TO NOTE 1 V33269	0116	0567	02 R
			B0001	B5169	
- 2A	030-18201	. BRAKE ASSY-MAIN WHEEL REFER TO NOTE 1 V33269	0568	& ON	02 R
			B5170	& ON	
3	061-11800	. . . CYLINDER-BRAKE V33269	0001	0567	01 R
			B0001	B5169	
- 3A	091-16101	. . . CYLINDER-BRAKE V33269	0568	& ON	01 R
			B5170	& ON	
4	092-06700	. . . PISTON ASSY-BRAKE V33269			04
5	MS28775-224	. . . O-RING V33269			04
6	088-00100	. . . INSULATOR			04
7	082-02000	. . . SPRING-FRICTION			04
8	073-08500	. . . PLATE ASSY-PRESSURE V33269	0001	0567	01 R
			B0001	B5169	
- 8A	073-08502	. . . PLATE ASSY-PRESSURE V33269	0568	& ON	01 R
			B5170	& ON	
9		. . . LINING-BRAKE ORGANIC FSO 066-03300	0001	0135	RF
			B0001	B0102	
- 10	066-03300	. . . LINING-BRAKE METALLIC REFER TO NOTE 2 AND NOTE 3	0136	0567	04 R
			B0103	B5169	
- 10A	066-15300	. . . LINING-BRAKE METALLIC	0568	& ON	04 R
			B5170	& ON	
		ATTACHING PARTS			
11	177-00300	. . . PIN-CARRIER V33269			02
		—*—			
12	068-02800	. . . SHIM-BACK PLATE			01
13	074-06600	. . . BACK PLATE ASSY-BRAKE V33269	0001	0567	04 R
			B0001	B5169	
- 13A	074-06602	. . . BACK PLATE ASSY-BRAKE V33269	0568	& ON	04 R
			B5170	& ON	
14		. . . LINING-BRAKE ORGANIC FSO 066-03300	0001	0135	RF
			B0001	B0102	
- 15	066-03300	. . . LINING-BRAKE METALLIC REFER TO NOTE 2 AND NOTE 3	0136	& ON	01
			B0103	& ON	
		ATTACHING PARTS			
16	177-00300	. . . PIN-CARRIER V33269			02
		—*—			
17	103-14300	. . . BOLT V33269			08
18	095-10400	. . . WASHER			08
19	069-01900	. . . BOLT-ANCHOR V33269			02
20	095-10200	. . . WASHER			02
21	094-10300	. . . NUT			02
22	075-16800	. . . TORQUE PLATE ASSY-BRAKE V33269	0001	0115	01
- 23	075-17100	. . . TORQUE PLATE ASSY-BRAKE V33269	0116	& ON	01 R
			B0001	& ON	
24	MS28775-011	. . . O-RING V33269			01
25	081-00500	. . . SEAT-BLEEDER V33269			01
26	079-00300	. . . SCREW-BLEEDER V33269			01
27	183-00100	. . . CAP-BLEEDER			01

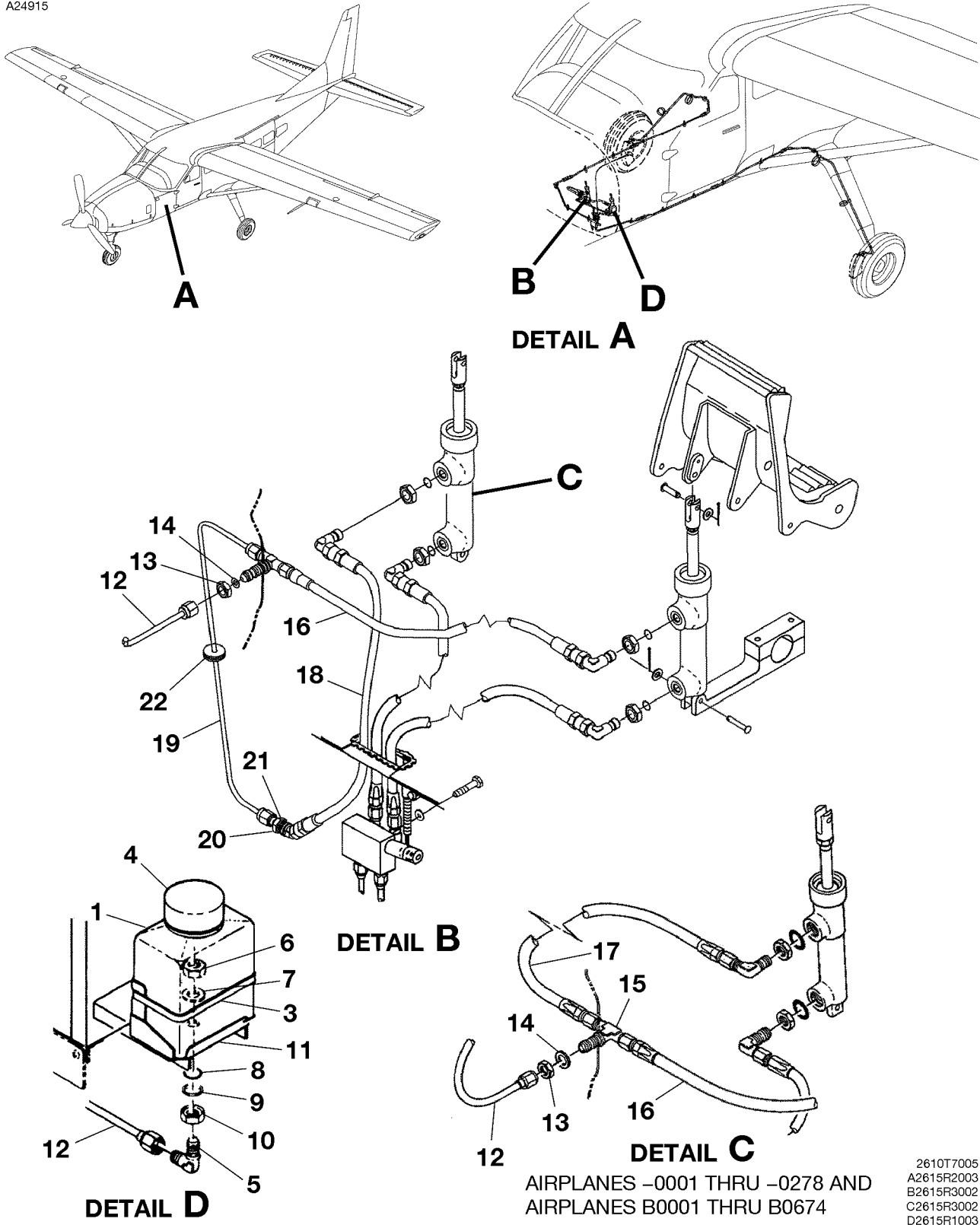
NOTE 1—BRAKE ASSY DESCRIBED IS NORMALLY LH, REVERSE BLEEDER FITTINGS FOR RH INSTALLATION.

NOTE 2—WHEN ORDERING THIS PART, REFER TO MAINTENANCE MANUAL FOR INSTALLATION AND BREAK-IN PROCEDURES.

NOTE 3—WHEN INITIALLY ORDERING THIS PART FOR AIRPLANES PRIOR TO -0136 OR -B0103, LININGS MUST BE REPLACED ON BOTH LH AND RH BRAKE ASSEMBLIES.

CESSNA®
MODEL 208
 ILLUSTRATED PARTS CATALOG

A24915



BRAKE SYSTEM
 FIGURE 01 (SHEET 1)

2610T7005
 A2615R2003
 B2615R3002
 C2615R3002
 D2615R1003

**CESSNA®
MODEL 208
ILLUSTRATED PARTS CATALOG**

FIG ITEM	PART NUMBER	NOMENCLATURE	UNITS PER ASSY	
			1 2 3 4 5 6 7	
01		BRAKE SYSTEM		RF
- 1	2682002-1	. RESERVOIR ASSY-BRAKE FLUID FSO 2682004-1	0001 0142	01
			B0001 B0138	
- 2	2682004-1	. RESERVOIR ASSY-BRAKE FLUID	0143 & ON	01
			B0139 & ON	
3	MS3367-2-9	. STRAP		01
4	71014	. CAP-RESERVOIR	V27901	01
5	AN833-3D	. ELBOW		01
6	AS5178W03	. NUT		01
7	NAS1149D0616K	. WASHER		01
8	MS28778-3	. O-RING		01
9	MS9058-03	. BACK-UP RING		01
10	AN6289D3	. NUT		01
11	2653013-1	. BRACKET ASSY-BRAKE RESERVOIR		01
12	2600100-6	. LINE ASSY-RESERVOIR TO TEE AT FIREWALL		01
13	AS5178-03	. NUT		01
14	NAS1149F0663P	. WASHER		01
15	AN834-3	. TEE		01
16	S2889-3-0112	. HOSE ASSY TEE AT FIREWALL TO BRAKE CYLINDER FSO S3309C0112-000D REFER TO NOTE 1	0001 0302 B0001 B0735	NP
- 16A	S3465-2-0112	. HOSE ASSY TEE AT FIREWALL TO BRAKE CYLINDER FSO S3309C0112-000D REFER TO NOTE 1	0303 0532 B0736 B2329	NP
- 16B	S3309A0112-000D	. HOSE ASSY TEE AT FIREWALL TO BRAKE CYLINDER FSO S3309C0112-000D REFER TO NOTE 1	0533 0546 B2330 B4999	NP
- 16C	S3309C0112-000D	. HOSE ASSY TEE AT FIREWALL TO BRAKE CYLINDER	0547 & ON B5000 & ON	01
17	S2889-3-0103	. HOSE ASSY TEE FIREWALL TO BRAKE CYLINDER FSO S3309A0103-000D REFER TO NOTE 2	0001 0278 B0001 B0674	NP
- 17A	S3309A0103-000D	. HOSE ASSY TEE FIREWALL TO BRAKE CYLINDER	0001 0278 B0001 B0674	01
18	S2889-3-0160	. HOSE ASSY ELBOW TO BRAKE CYLINDER FSO S3309C0160-000D REFER TO NOTE 1	0279 0302 B0675 B0733	NP
- 18A	S3465-2-0160	. HOSE ASSY ELBOW TO BRAKE CYLINDER FSO S3309C0160-000D REFER TO NOTE 1	0303 0532 B0734 B2329	NP
- 18B	S3309A0160-000D	. HOSE ASSY ELBOW TO BRAKE CYLINDER FSO S3309C0160-000D REFER TO NOTE 1	0533 0546 B2330 B4999	NP
- 18C	S3309C0160-000D	. HOSE ASSY ELBOW TO BRAKE CYLINDER	0547 & ON B5000 & ON	01
19	2600100-65	. LINE ASSY REFER TO NOTE 3	0279 & ON B0675 & ON	01
20	AS5178-03	. NUT REFER TO NOTE 3	0279 & ON B0675 & ON	01
21	AN837-3	. ELBOW REFER TO NOTE 3	0279 & ON B0675 & ON	01
22	MS35489-134	. GROMMET REFER TO NOTE 3	0278 & ON B0675 & ON	01

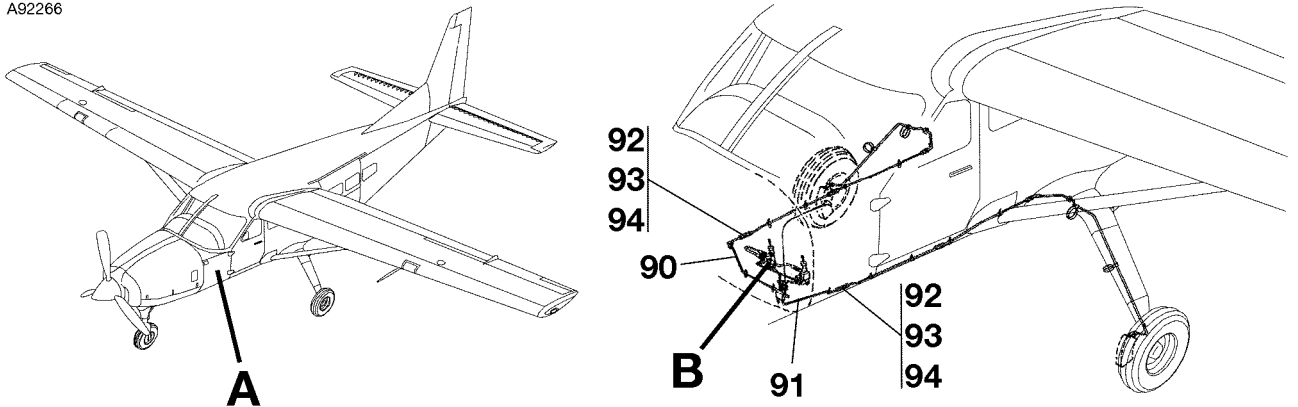
NOTE 1—WHEN REPLACING EXISTING HOSE ASSEMBLIES WITH THE S3309C0112-00D OR S3309C0160-000D HOSES ASSEMBLIES IN THE FIELD, ALSO ORDER 1 EACH OF AS5174D0303 UNION. REMOVE THE EXISTING MS28778-3 O-RING, AN921-3D ELBOW, AND AN924-3D NUT.

NOTE 2—AIRPLANES -0001 THRU -0278 AND -B0001 THRU -B0674 NOT INCOPRORATING SK208-136.

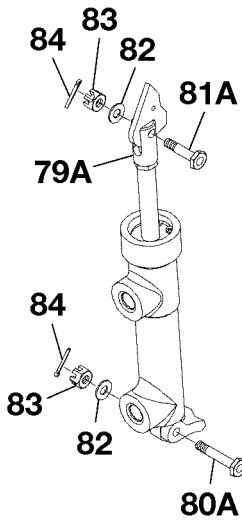
NOTE 3—AIRPLANES -0279 AND ON AND -B0675 AND ON, AND AIRPLANES -0001 THRU -0278 AND -B0001 THRU -B0674 INCORPORATING SK208-136.

CESSNA®
MODEL 208
 ILLUSTRATED PARTS CATALOG

A92266

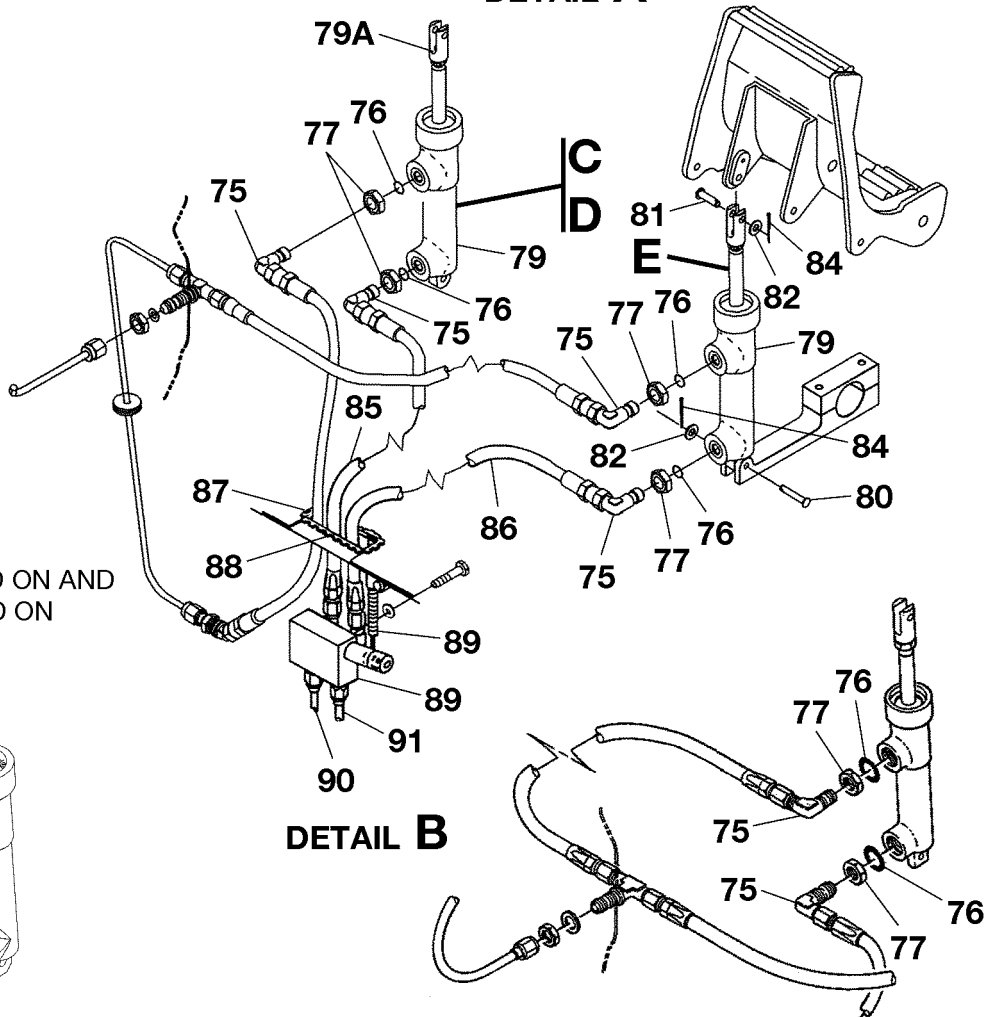


DETAIL A



DETAIL E

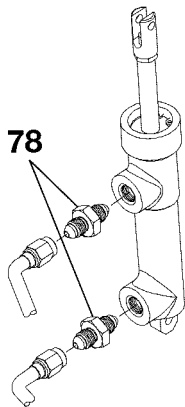
AIRPLANES -0547 AND ON AND
 AIRPLANES B5000 AND ON



DETAIL B

DETAIL C

AIRPLANES -0001 THRU -0278 AND
 AIRPLANES B0001 THRU B0674



DETAIL D

AIRPLANES -0547 AND ON AND
 AIRPLANES B5000 AND ON

2610T7005
 A2615R2003
 B2615R3002
 C2615R3002
 D2615T1051
 E2615T1051

BRAKE SYSTEM
FIGURE 01 (SHEET 2)

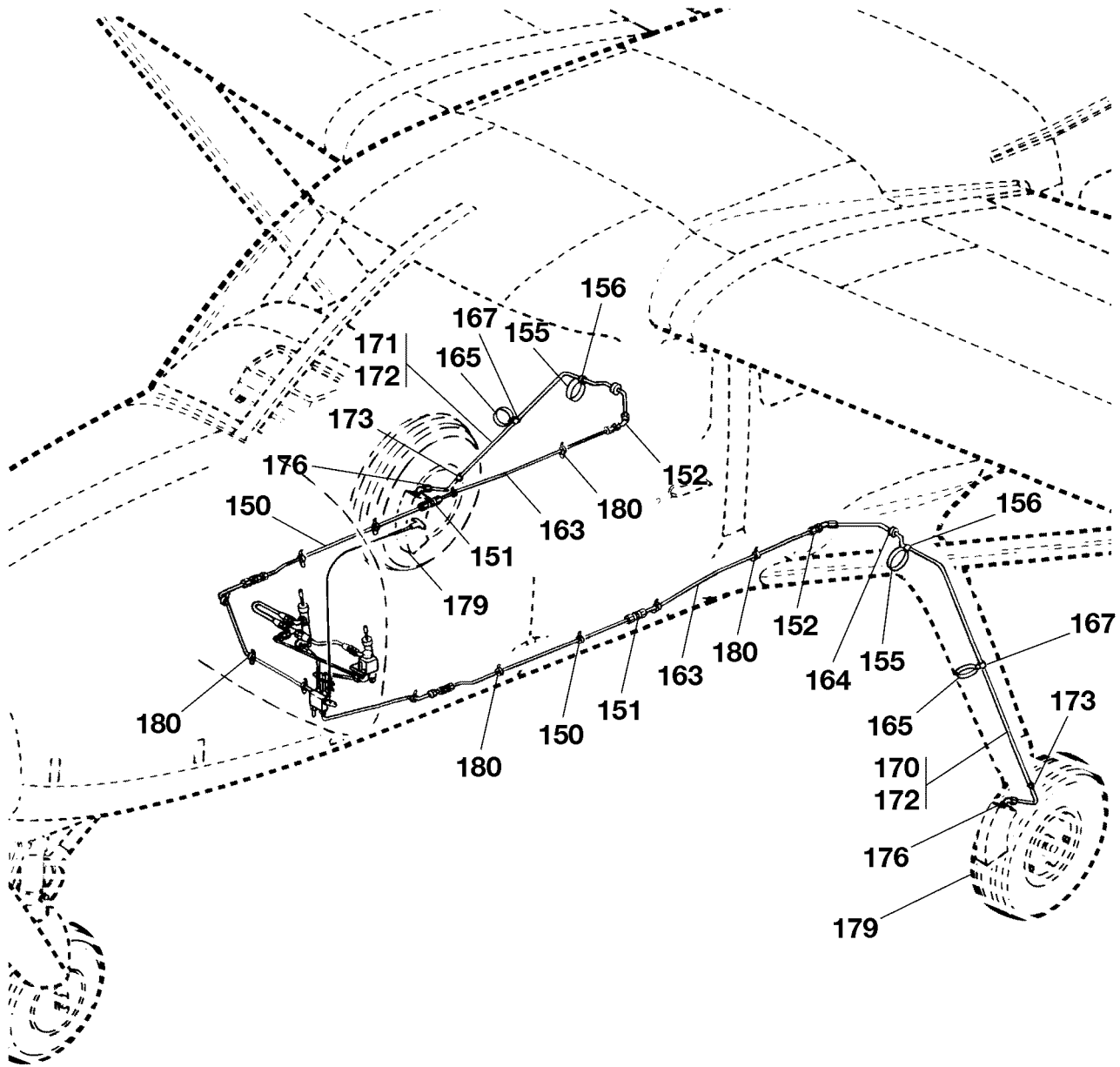
**CESSNA®
MODEL 208
ILLUSTRATED PARTS CATALOG**

FIG ITEM	PART NUMBER	NOMENCLATURE	UNITS PER ASSY		
			1	2	3
01					
75	AN833-3D	. ELBOW	0001	0546	04
			B0001	B4999	
76	MS28778-3	. O-RING	0001	0546	04
			B0001	B4999	
77	AS5178W03	. NUT	0001	0546	04
			B0001	B4999	
78	AS5174D0303	. UNION-REFER TO NOTE 1	0547	& ON	04
			B5000	& ON	
79		. BRAKE CYLINDER ASSY- MASTER REFER TO 32-41-01 FIGURE 01			RF
79A		. RUDDER PEDALS INSTALLATION REFER TO 27-20-02 FIGURE 02			RF
80	MS20392-2C25	. PIN LOWER	0001	0546	02
			B0001	B4999	
80A	NAS6203-13D	. BOLT LOWER	0547	& ON	02
			B5000	& ON	
81	MS20392-2C17	. PIN UPPER			02
81A	NAS6203-9D	. BOLT UPPER	0547	& ON	02
			B5000	& ON	
82	NAS1149F0332P	. WASHER			04
83	MS17825-3	. NUT	0547	& ON	02
			B5000	& ON	
84	MS24665-132	. COTTER PIN			04
85	S2889-3-0132	. HOSE ASSY BRAKE CYL TO PARKING BRAKE VALVE S3309F0132-180D REFER TO NOTE 1	0001	0302	NP
			B0001	B0735	
- 85A	S3465-2-0132	. HOSE ASSY BRAKE CYL TO PARKING BRAKE VALVE S3309F0132-180D REFER TO NOTE 1	0303	0532	NP
			B0736	B2329	
- 85B	S3309A0132-000D	. HOSE ASSY BRAKE CYL TO PARKING BRAKE VALVE S3309F0132-180D REFER TO NOTE 1	0533	0546	NP
			B2330	B4999	
- 85C	S3309F0132-180D	. HOSE ASSY BRAKE CYL TO PARKING BRAKE VALVE	0547	& ON	01
			B5000	& ON	
86	S2889-3-0146	. HOSE ASSY BRAKE CYL TO PARKING BRAKE VALVE FSO S3309F0146-180D REFER TO NOTE 1	0001	0302	NP
			B0001	B0735	
- 86A	S3465-2-0146	. HOSE ASSY BRAKE CYL TO PARKING BRAKE VALVE FSO S3309F0146-180D REFER TO NOTE 1	0303	0532	NP
			B0736	B2329	
- 86B	S3309A0146-000D	. HOSE ASSY BRAKE CYL TO PARKING BRAKE VALVE FSO S3309F0146-180D REFER TO NOTE 1	0533	0546	NP
			B2330	B4999	
- 86C	S3309F0146-180D	. HOSE ASSY BRAKE CYL TO PARKING BRAKE VALVE	0547	& ON	01
			B5000	& ON	
87	S1050-1	. GROMMET BKI			AR
88	S1050-1	. GROMMET BKI			AR
89		. PARKING BRAKE INSTALLATION REFER TO 32-42-00 FIGURE 01			RF
90	2600100-17	. LINE ASSY-RH PARKING BRAKE VALVE TO UNION			01
91	2600100-1	. LINE ASSY-LH PARKING BRAKE VALVE TO UNION			01
92	AN832-3D	. UNION ALT FOR AS5406D03			02 R
- 92A	AS5406D03	. UNION ALT FOR AN832-3D			02 R
93	AS5178W03	. NUT ALT FOR AN924-3D	0001	0546	02
			B0001	B4999	
- 93A	AN924-3D	. NUT ALT FOR AS5178W03	0547	& ON	02
			B5000	& ON	
94	NAS1149D0663K	. WASHER	0001	0546	02
			B0001	B4999	
- 94A	NAS1149D0663H	. WASHER	0547	& ON	02
			B5000	& ON	

NOTE 1—WHEN REPLACING EXISTING HOSE ASSEMBLIES WITH THE S3309F0132-180D OR S3309F0146-180D HOSES ASSEMBLIES IN THE FIELD, ALSO ORDER 1 EACH OF AS5174D0303 UNION. REMOVE THE EXISTING MS28778-3 O-RING, AN921-3D ELBOW, AND AN924-3D NUT.

CESSNA®
MODEL 208
ILLUSTRATED PARTS CATALOG

A24916



2615R2003

BRAKE SYSTEM
FIGURE 01 (SHEET 3)

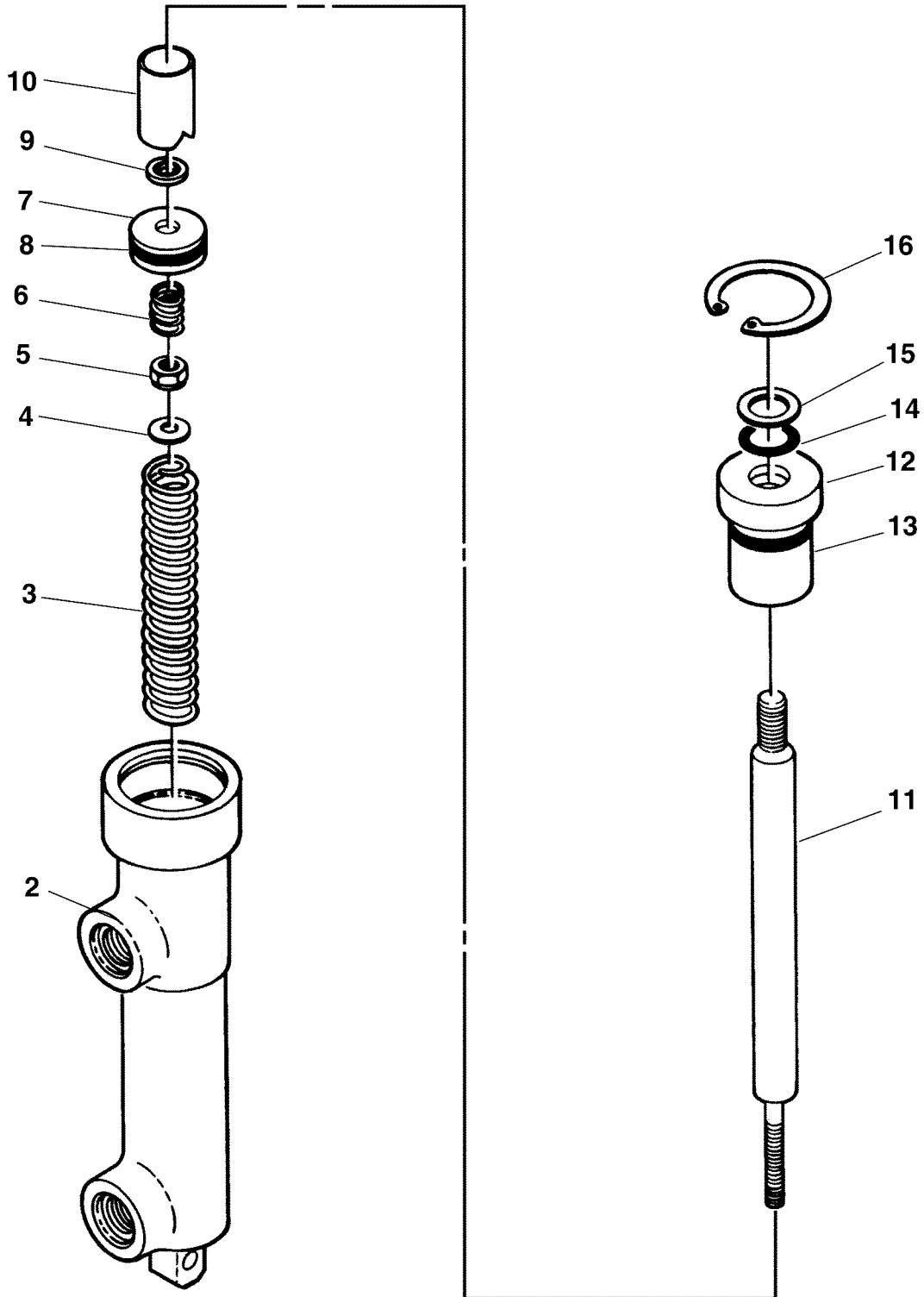
CESSNA®
MODEL 208
ILLUSTRATED PARTS CATALOG

FIG ITEM	PART NUMBER	NOMENCLATURE	UNITS PER ASSY		
			1	2	3
01					
150	2600100-2	. LINE ASSY	0001	0089	02
- 150A	2600100-48	. LINE ASSY	0090	& ON	01
- 150B	2600100-57	. LINE ASSY	B0001	& ON	01
151	AS5174D0303	. UNION			02
152	AN837-3	. ELBOW			02
- 153	AS5178-03	. NUT			02
- 154	NAS1149D0663K	. WASHER			02
155		. CLAMP ATTACH MAIN GEAR STRUT REFER TO 30-10-03 FIGURE 01			RF
156	MS21919WDG3	. CLAMP ATTACH TO BRAKE LINE	0001	0197	02
			B0001	B0232	
- 156A	MS21919WDG6	. CLAMP ATTACH TO BRAKE LINE	0198	0532	NP
			B0233	B2329	
- 156B	MS21919WDG7	. CLAMP ATTACH TO BRAKE LINE	0533	& ON	04
			B2330	& ON	
- 157	MS35207-262	. SCREW	0001	& ON	02
- 158	AN520-10R11	. SCREW	B0001	& ON	02
- 159	NAS43HT3-13	. SPACER	B0001	& ON	02
- 160	NAS1149F0332P	. WASHER	B0001	& ON	02
- 161	MS21044N3	. NUT			02
- 162	S2583-1	. TAPE FSO R881415	0001	0302	NP
			B0001	B0735	
- 162A	R881424	. TAPE	0303	0546	AR
			B0736	B4999	
163	2600100-3	. LINE ASSY	0001	0089	02
- 163A	2600100-49	. LINE ASSY	0090	& ON	02
			B0001	& ON	
164	MS35489-35	. GROMMET	0001	0197	02
			B0001	B0232	
165	AN735-34	. CLAMP ATTACH TO MAIN GEAR STRUT	0001	0337	02
- 165A	MS21919WCG32	. CLAMP REFER TO NOTE 1	0338	& ON	02
- 166	AN735-36	. CLAMP ATTACH TO MAIN GEAR STRUT	B0001	B0893	02
- 166A	MS21919WCG34	. CLAMP REFER TO NOTE 1	B0894	& ON	02
167	MS21919WDG3	. CLAMP ATTACH TO BRAKE LINE	0001	0197	02
			B0001	B0232	
- 167A	MS21919WDG6	. CLAMP ATTACH TO BRAKE LINE	0198	0532	NP
			B0233	B2329	
- 167B	MS21919WDG7	. CLAMP ATTACH TO BRAKE LINE	0533	& ON	02
			B2330	& ON	
- 168	MS35207-262	. SCREW			02
- 169	MS21044N3	. NUT			02
170	2600100-4	. LINE ASSY-LH ELBOW TO BRAKE FSO S3309A0664-000D	0001	0197	NP
			B0001	B0232	
171	2600100-5	. LINE ASSY-RH ELBOW TO BRAKE FSO S3309A0664-000D	0001	0197	NP
			B0001	B0232	
172	2682000-3	. LINE ASSY-FLEXIBLE-ELBOW TO BRAKE FSO S3309A0664-000D	0198	0213	NP
			B0233	B0295	
- 172A	2641027-6	. LINE ASSY-FLEXIBLE-ELBOW TO BRAKE FSO S3309A0664-000D	0214	0302	NP
			B0296	B0735	
- 172B	2641027-17	. LINE ASSY-FLEXIBLE-ELBOW TO BRAKE FSO S3309A0664-000D	0303	0532	NP
			B0736	B2329	
- 172C	S3309A0664-000D	. HOSE ASSY-ELBOW TO BRAKE	0533	& ON	02
			B2330	& ON	
173	MS21919WDG3	. CLAMP			02
- 174	MS35207-262	. SCREW			02
- 175	MS21044N3	. NUT			02
176	AN921-3	. ELBOW			02
- 176A	AN833-3	. ELBOW ALT FOR AN921-3			02
- 177	AS5178-03	. NUT			02
- 178	MS28778-3	. O-RING			02
179		. MAIN WHEEL BRAKE ASSY REFER TO 32-40-00 FIGURE 03			RF
180	S4132-1	. ANCHOR	0001	0089	12
- 180A	S4132-1	. ANCHOR	0090	0106	08
- 180B	S4132-1	. ANCHOR	0107	& ON	06
- 180C	S4132-1	. ANCHOR	B0001	& ON	08
		ATTACHING PARTS			
- 181	S1021Z6-8	. SCREW			01
- 182	MS3367-1-9	. STRAP			01

NOTE 1—AIRPLANES -0338 AND ON AND -B0894 AND ON, AND AIRPLANES -0001 THRU -0337 AND -B0001 THRU -B0896 INCORPORATING CAB03-5.

CESSNA®
MODEL 208
ILLUSTRATED PARTS CATALOG

A24917



26152011

BRAKE MASTER CYLINDER ASSEMBLY
FIGURE 01 (SHEET 1)

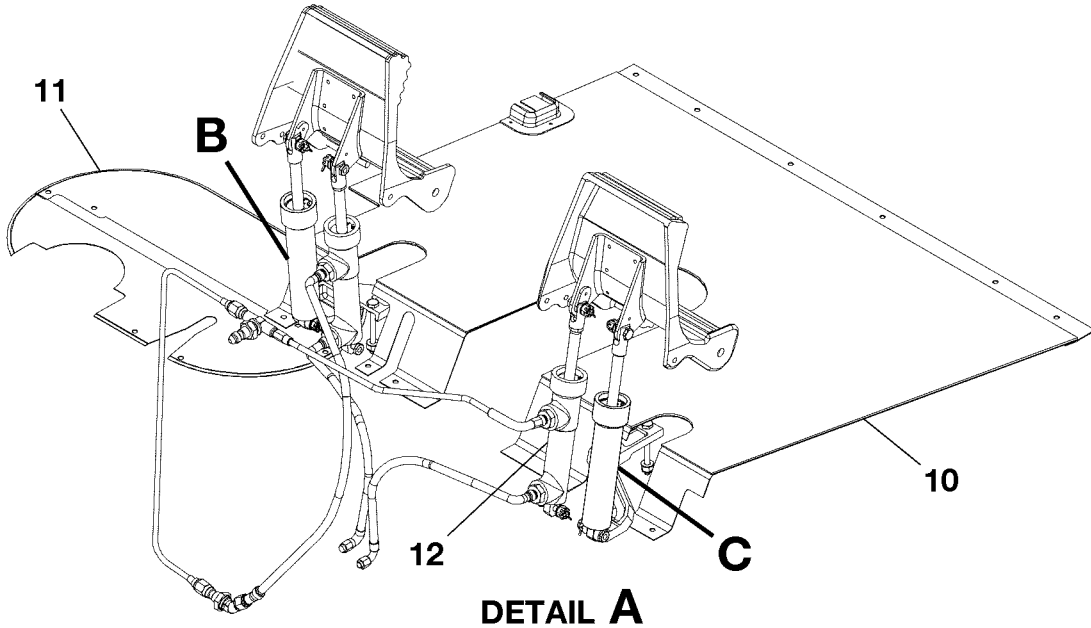
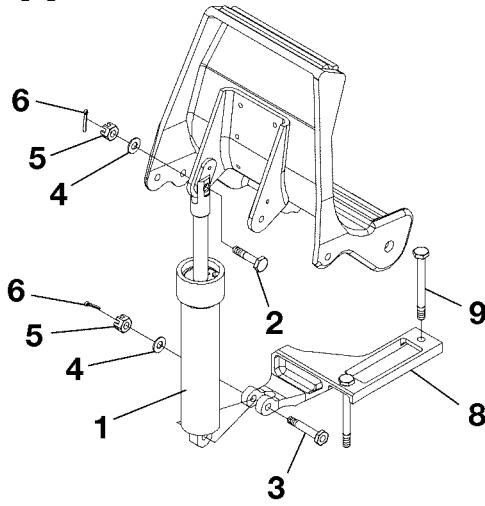
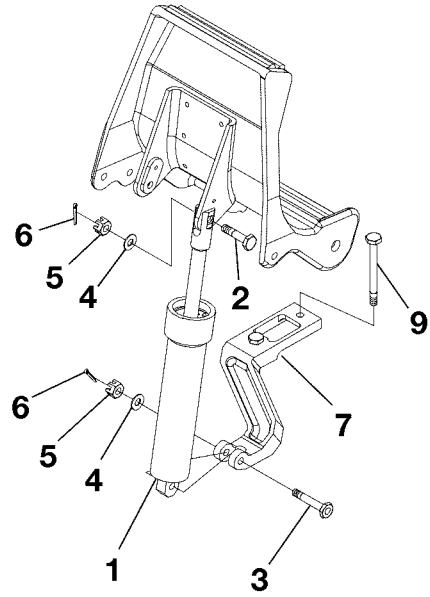
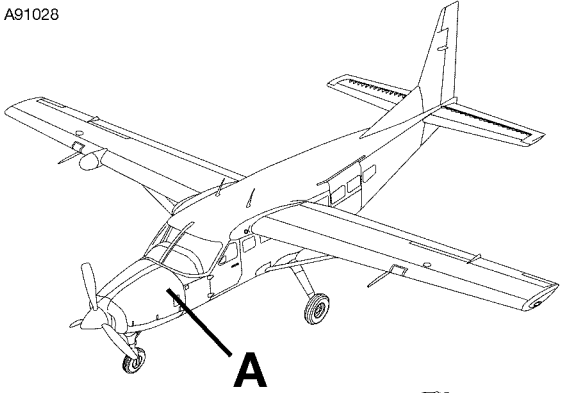
CESSNA®
MODEL 208
 ILLUSTRATED PARTS CATALOG

FIG ITEM	PART NUMBER	NOMENCLATURE							UNITS PER ASSY
		1	2	3	4	5	6	7	
01		BRAKE MASTER CYLINDER ASSEMBLY							RF
-		. MASTER CYLINDER ASSY-BRAKE							02
- 1	2682001-1	. BODY-BRAKE CYLINDER							01
2	2682001-3	. SPRING							01
3	0541148	. WASHER							01
4	NAS1149FN632P	. NUT V72962							01
5	22FH632	. SPRING							01
6	0541148-2	. PISTON-BRAKE CYLINDER							01
7	5044000-3	. O-RING							01
8	MS28775-112	. STAT-O-SEAL V83259							01
9	600-015-6	. STAT-O-SEAL-ALT FOR 600-015-6 V83259							01 R
- 9A	600-0115-6	. SLEEVE							01
10	0541149	. ROD-BRAKE CYLINDER							01
11	0541144	. PLUG-BRAKE CYLINDER							01
12	2682001-2	. O-RING							01
13	MS28775-016	. O-RING							01
14	MS28775-110	. RING-BACK UP							01
15	S1628-110	. RING-LOCK							01
16	MS16625-1093								01

- ITEM NOT ILLUSTRATED

CESSNA®
MODEL 208
ILLUSTRATED PARTS CATALOG

A91028



BRAKE RETURN SPRING INSTALLATION
FIGURE 01 (SHEET 1)

2610T7005
A2615T1050
B2615T1050
C2615T1050

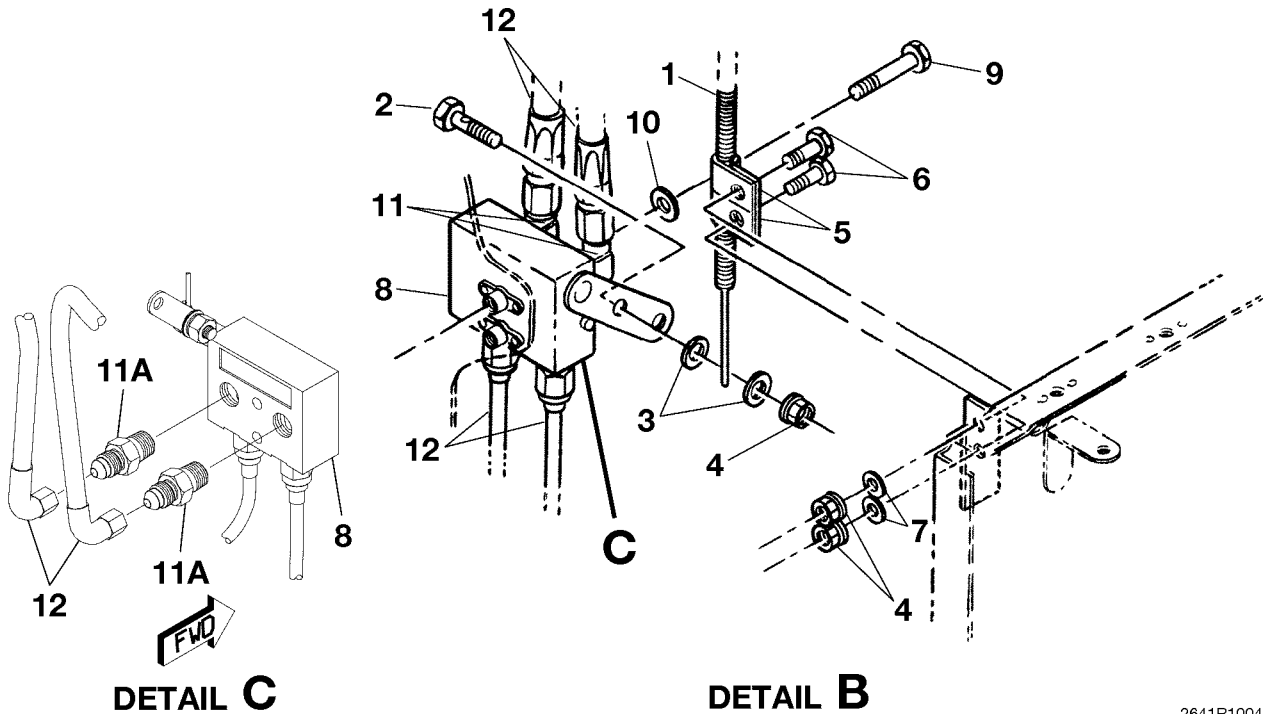
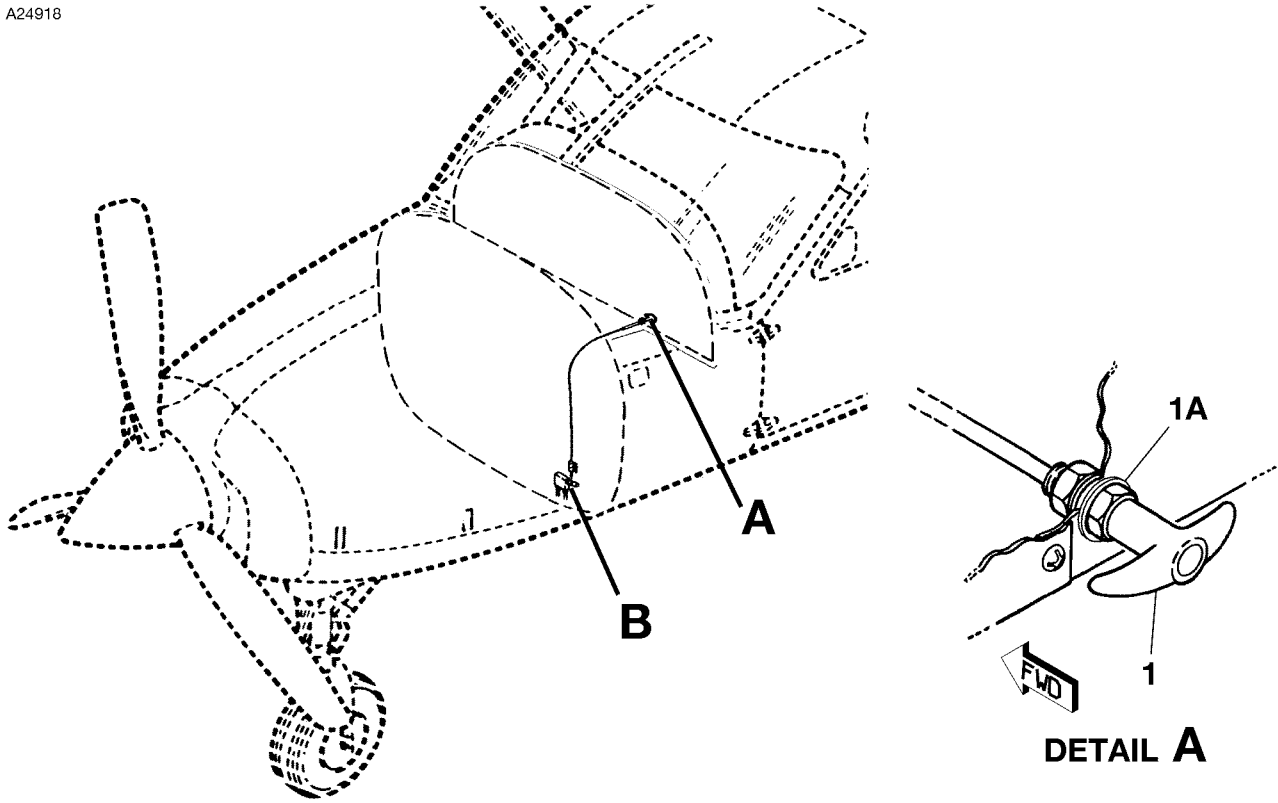
CESSNA®
MODEL 208
ILLUSTRATED PARTS CATALOG

FIG ITEM	PART NUMBER	NOMENCLATURE	UNITS PER ASSY		
			1	2	3
01		BRAKE RETURN SPRING INSTALLATION REFER TO NOTE 1			
-			0547	& ON	RF
			B5000	& ON	
1	2682005-9	. RETURN SPRING ASSY-BRAKE REFER TO NOTE 1 ATTACHING PARTS			02 R
2	AN3-7	. BOLT REFER TO NOTE 1			02 R
3	NAS6203-13D	. BOLT REFER TO NOTE 1			02 R
4	NAS1149F0332P	. WASHER REFER TO NOTE 1			04 R
5	MS17825-3	. NUT REFER TO NOTE 1			04 R
6	MS24665-132	. COTTER PIN REFER TO NOTE 1. *—			04 R
7	2682005-7	. RETURN SPRING SUPPORT-OUTBD REFER TO NOTE 1			01 R
8	2682005-13	. RETURN SPRING SUPPORT-INBD FSO 2682005-15.	0547	0552	NP R
			B5000	B5076	
- 8A	DDA06612-1	. RETURN SPRING SUPPORT-INBD REF 2613017 REFER TO NOTE 2.	0553	0562	01 R
			B5077	B5130	
- 8B	2682005-15	. RETURN SPRING SUPPORT-INBD REFER TO NOTE 3	0563	& ON	01 R
			B5131	& ON	
9	AN3-21A	. BOLT			04 R
10		. FOOT REST-PILOT REFER TO 53-20-00 FIGURE 01, FIGURE 02, AND FIGURE 03.			RF
11		. ACCESS COVER ASSEMBLY REFER TO 53-21-00 FIGURE 01, FIGURE 02, AND FIGURE 03			RF R
12		. BRAKE SYSTEM REFER TO 27-20-02 FIGURE 02.			RF R
		NOTE 1—AIRPLANES -0547 & ON AND -B5000 & ON, AND AIRPLANES -0001 THRU -0546 AND -B0001 THRU -B4999 INCORPORATING CAB-32-01.			R
		NOTE 2—WHEN ORDERING DDA PART NUMBERS, ALSO PROVIDE REFERENCE DRAWING NUMBER SHOWN IN NOMENCLATURE COLUMN.			R
		NOTE 3—AIRPLANES -0563 & ON AND -B5131 & ON, AND AIRPLANES -0547 THRU -0549, -0551 THRU -0552, AND -B5000 THRU -B5076 INCORPORATING CAB-32-03.			R

- ITEM NOT ILLUSTRATED

CESSNA®
MODEL 208
 ILLUSTRATED PARTS CATALOG

A24918



DETAIL C
 AIRPLANES -0547 AND ON AND
 AIRPLANES B5000 AND ON

PARKING BRAKE INSTALLATION
 FIGURE 01 (SHEET 1)

2641R1004
 A2641R1002
 B2641R1003
 C2615T1051

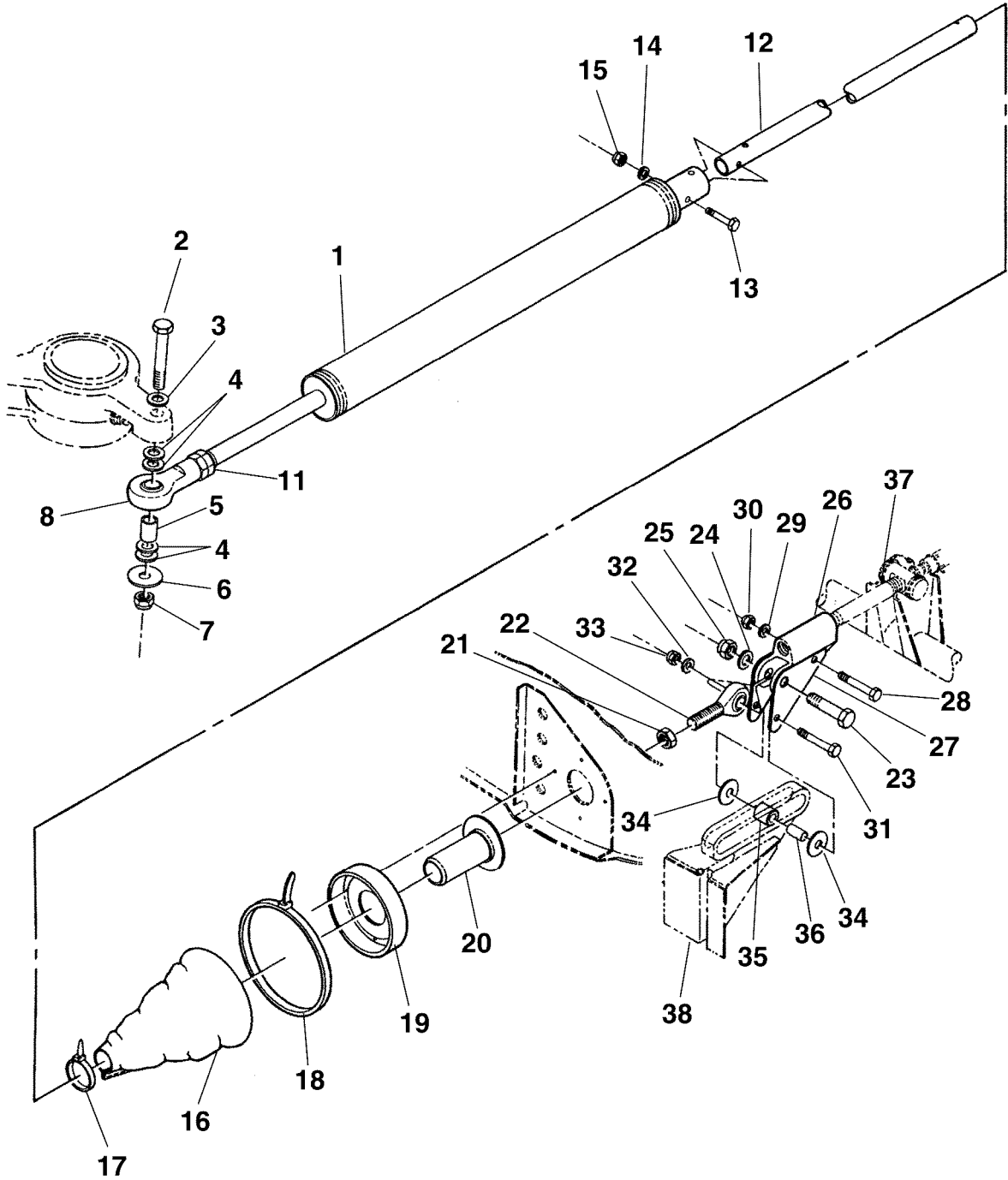
CESSNA®
MODEL 208
 ILLUSTRATED PARTS CATALOG

FIG ITEM	PART NUMBER	NOMENCLATURE							UNITS PER ASSY		
		1	2	3	4	5	6	7			
01		PARKING BRAKE INSTALLATION									RF
-		. CONTROL ASSY-PARKING BRAKE									01
1	S1779-3	. WASHER									01
1A	NAS1149F0632P	. ATTACHING PARTS									
2	S2323-5	. CLAMP									01
3	NAS1149D0332K	. WASHER									02
4	MS21044N3	. NUT									03
5	S2226-1	. CLAMP									02
6	AN3-4A	. BOLT									02
7	NAS1149F0332P	. WASHER									02
		—*—									
8	9910564-1	. VALVE ASSY-PARKING BRAKE REFER TO NOTE 1									01
		. ATTACHING PARTS									
9	AN3-12A	. BOLT									02
10	NAS1149F0363P	. WASHER									02
		—*—									
11	MS20822-3D	. ELBOW							0001	0546	02 R
									B001	B4999	
11A	AS5194D0302	. ADAPTER							0547	& ON	02 R
									B5000	& ON	
12		. BRAKE SYSTEM REFER TO 32-41-00 FIGURE 01									RF

NOTE 1—WHEN INITIALLY ORDERING THIS PART FOR AIRPLANES PRIOR TO -0132 OR B0055, ALSO ORDER MS20822-3D ELBOW.

CESSNA®
MODEL 208
ILLUSTRATED PARTS CATALOG

A24919



26423002

NOSE GEAR STEERING
FIGURE 01 (SHEET 1)

CESSNA®
MODEL 208
ILLUSTRATED PARTS CATALOG

FIG ITEM	PART NUMBER	NOMENCLATURE	UNITS PER ASSY	
			1 2 3 4 5 6 7	
01		NOSE GEAR STEERING		RF
-				
1	2643065-1	. BUNGEE ASSY-NOSE GEAR STEERING FSO 2643065-2	0001 0262	NP
-			B0001 B0614	
- 1A	2643065-2	. BUNGEE ASSY-NOSE GEAR STEERING	0263 & ON	01
			B0615 & ON	
		ATTACHING PARTS		
2	AN6-21A	. BOLT		01
3	NAS1149F0632P	. WASHER		01
4	NAS1149F0663P	. WASHER		04
5	S133-6P58	. SPACER		01
6	S1450-6-18-063	. WASHER		01
7	MS21044N6	. NUT		01
		—*—		
8	S3058-8	. BEARING		01
- 9		. DELETED NOT USED		RF
- 10		. DELETED NOT USED		RF
11	AN316-8R	. NUT		01
12	2643072-1	. TUBE-NOSE GEAR STEERING		01
		ATTACHING PARTS		
13	AN3-13A	. BOLT		02
14	NAS1149F0663P	. WASHER		02
15	MS21045L3	. NUT		02
		—*—		
16	2643057-1	. BOOT-NOSE GEAR STEERING		01
		ATTACHING PARTS		
17	S1891-6S	. CLAMP		01 R
18	MS3367-2-9	. STA STRAP		01
		—*—		
19	2643056-1	. RETAINER-NOSE GEAR STEERING BUSHING		01
20	2643058-1	. BUSHING ASSY-NOSE GEAR STEERING		01
21	AN316-7R	. NUT		01
22	S2049M6FG	. BEARING-ROD END		01
		ATTACHING PARTS		
23	AN6-14A	. BOLT		01
24	NAS1149F0663P	. WASHER		01
25	MS21044N6	. NUT		01
		—*—		
26	2643061-1	. LINK-RUDDER TRIM		01
27	2643061-2	. PLATE-ADAPTER		02
		ATTACHING PARTS		
28	AN3-14A	. BOLT		01
29	NAS1149F0332P	. WASHER		01
30	MS21044N3	. NUT		01
		—*—		
31	AN3-14A	. BOLT		01
32	NAS1149F0332P	. WASHER		01
33	MS21044N3	. NUT		01
34	S1438-12	. WASHER		02
35	0523921	. ROLLER ASSY		01
36	S2398-1	. BEARING ALT FOR 0523921		01
37	S2614-3-21	. BUSHING		01
38		. RUDDER TRIM WHEEL REFER TO 27-20-02 FIGURE 01		RF
- 39		. GUIDE-NOSE GEAR STEERING REFER TO 53-10-01 FIGURE 01		RF

- ITEM NOT ILLUSTRATED